



## PDX2-057T

### FEATURES

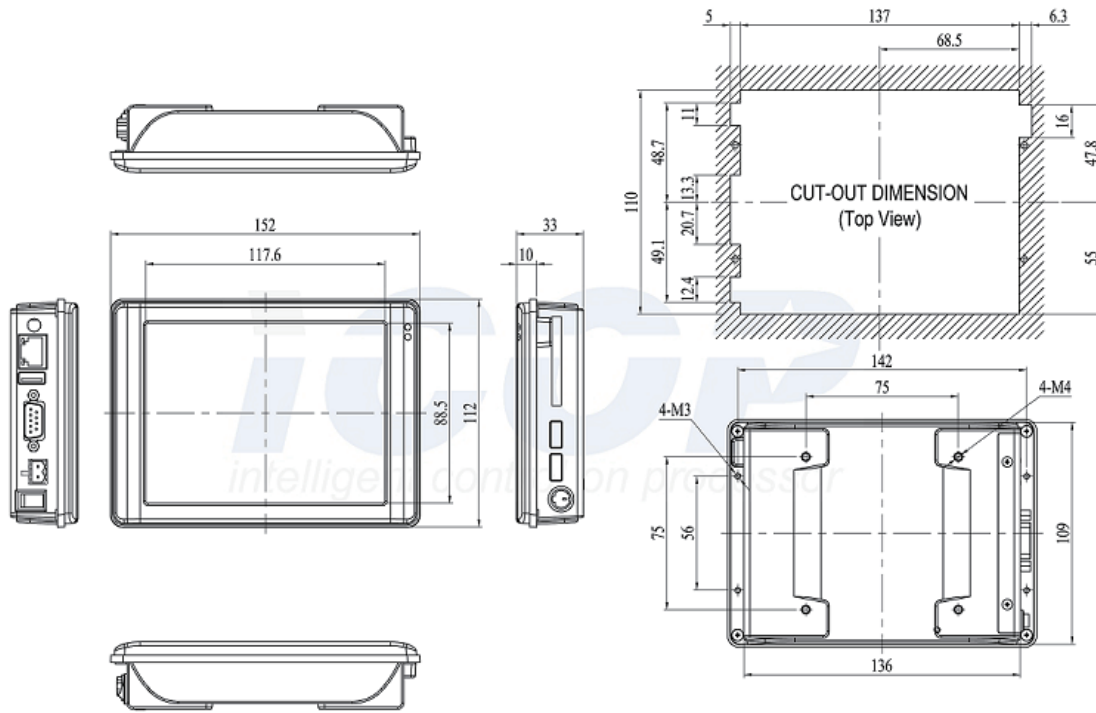
- 5.7" TFT LCD with Resistive Touchscreen
- DM&P Vortex86DX2-933MHz Onboard
- 1G / 2G DDR2 System Memory Onboard
- Fanless and Low Power Consumption
- Metal Chassis with Compact Design
- CF Card, Micro SD slot (Optional)  
1G / 2G Flash Memory onboard (Optional)



### SPECIFICATION

LCD Display	Type	VGA TFT LCD
	Size	5.7"
	Resolution (Pixel)	640(W) x 480(H)
	Colors	262,144
	View Angle	Vertical 100° / Horizontal 140°
	Brightness	500 cd/m <sup>2</sup>
	Backlight Life	50,000 hrs
	Contrast Ratio	300 : 1
CPU	DM&P Vortex86DX2-933MHz	
Cache	L1: 16KB I-Cache, 16KB D- Cache / L2: 256KB Cache	
Memory	1GB / 2GB DDR2 Memory Onboard	
Watchdog Timer	Software Programmable from 30.5u to 512 Seconds x 2 Sets	
Serial Port	RS-232 / 422 / 485 x 1	
USB Ports	USB Ports (Version 2.0) x 2	
Ethernet	Integrated 10/100M Ethernet	
Audio	HD Audio-Realtek ALC262 CODEC	
Internal Drives	CF Card ; Micro SD slot, 1G / 2G Flash Memory onboard (Optional)	
Touch Screen Type	Analog Resistive	
Expansion Slot	None	
Power Requirement	Single Voltage +5VDC ( 5A )/ Multi Voltage +8~+35VDC ( 8A )	
Power Consumption	20W (Max.)	
Operating Temperature	0~+50°C (32~+122°F) / -20~+60°C (-4~+140°F) Optional & CPU down to 800MHz (-I)	
Storage Temperature	-30~ +70°C (14 ~+158°F)	
Operating Humidity	0% ~ 90% Relative Humidity, Non-Condensing	
Operating System	Linux, Win CE, Win XP, Win 7, Windows Embedded Standard	
Dimensions	152x112x33mm (5.98x4.41x1.3 inches)	
Weight	500g	
Certificate	CE / FCC / VCCI / Vibration / Shock	

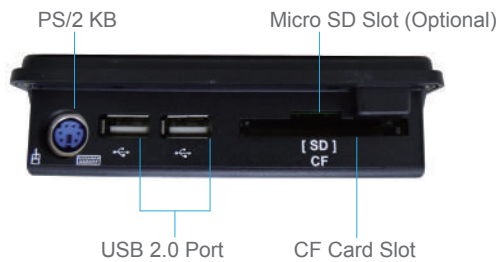
# DIMENSIONS



Unit: mm

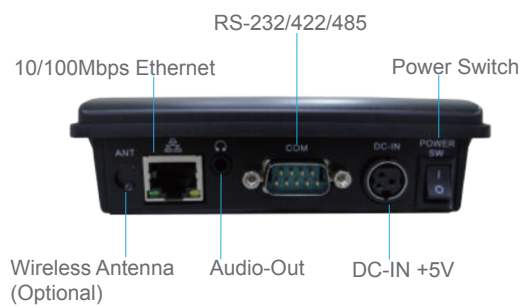
## I/O Overview

### PDX2-057T Right site



### PDX2-057T Left site

PDX2-057T-5A  
PDX2-057T-5A-2G



PDX2-057T-8A  
PDX2-057T-8A-2G

