

# 1U Rackmount Barebone HBJC153I05 Series

Intel® Elkhart Lake SoC Processor, support DDR4 3200MHz up to 32GB

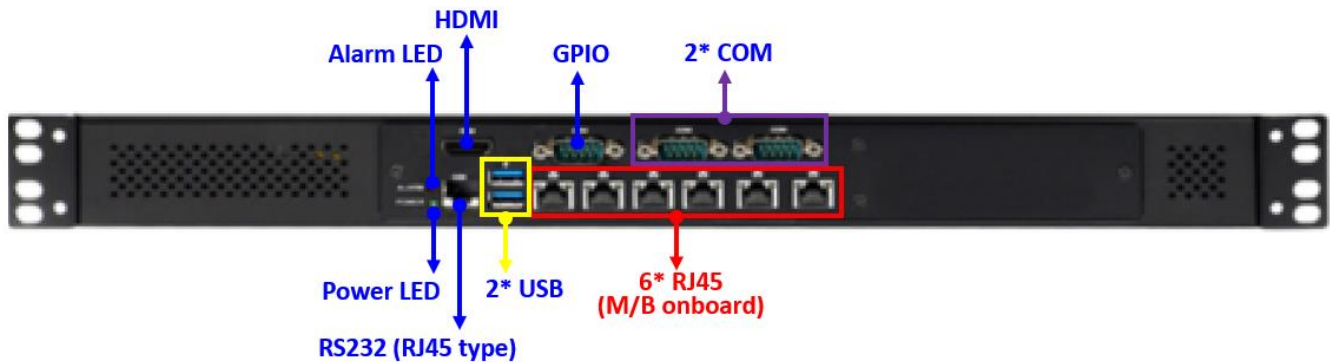
## Features

1. Intel® Elkhart Lake SoC Processor
2. 1\* DDR4 3200MHz SO-DIMM up to 32GB
3. 6\* 10/100/1000/2500 Base-TX Ethernet Ports  
(support up to 2 pairs ByPass 2.5GbE option)
4. 1\* USB 3.1 (Gen.2), 1\* USB 2.0, 1\* HDMI
5. 1\* RS232 (RJ45 type), 2\* COM, 1\* GPIO
6. 1\* M.2 E-key (2230), 1\* M.2 B-key (3042), 1\* SIM
7. 1\* M.2 M-key (2242), 1\* 2.5" SATA Device
8. TPM2.0 onboard (optional)
9. 1U 250W FLEX POWER

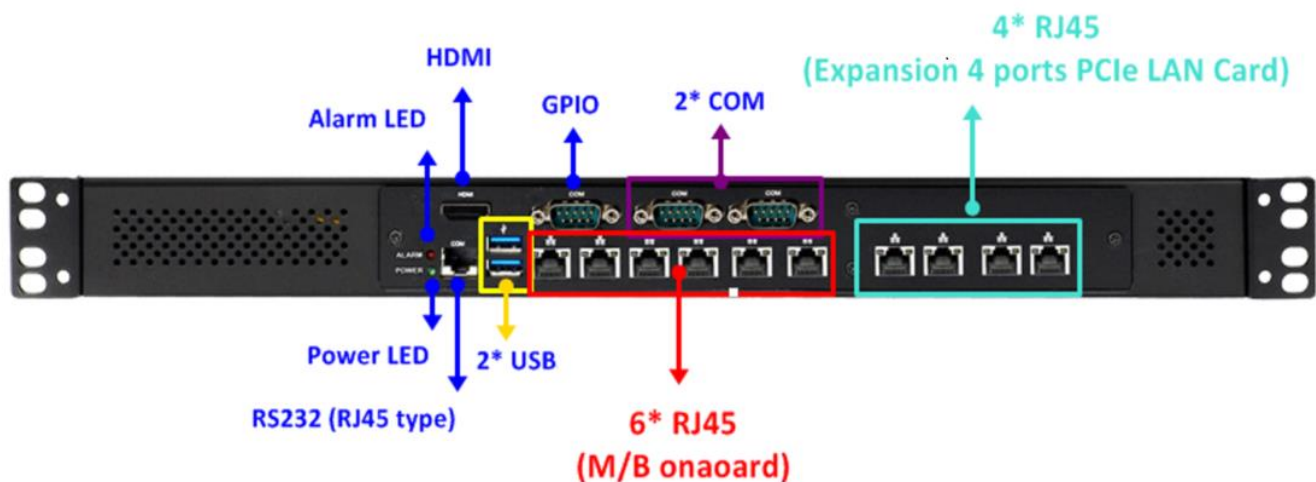


intel. FC CE RoHS  
COMPLIANT

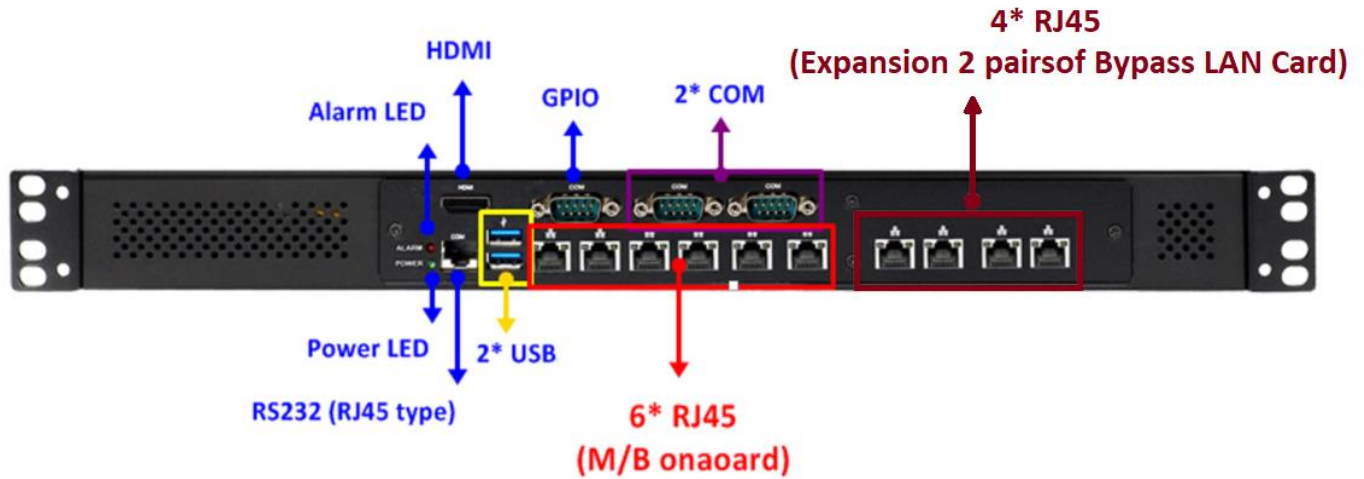
## Front I/O : HBJC153I05-6412B



## Front I/O : HBJC153I05-6412G4



## Front I/O : HBJC153I05-6412B4



## Rear I/O : HBJC153I05-6412B / G4 / B4



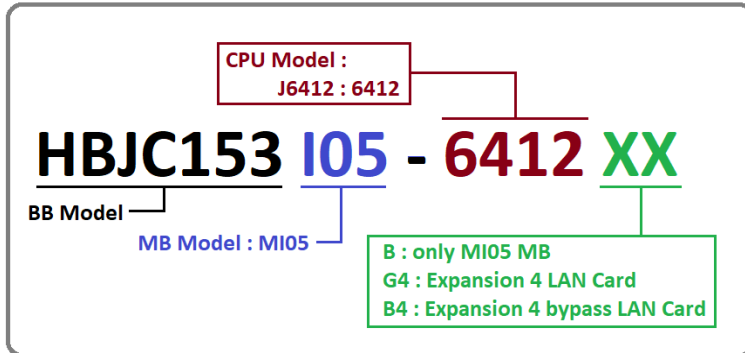
## Specifications

<b>Model</b>	<ul style="list-style-type: none"> <li>• HBJC153I05-6412B (Standard Model)</li> <li>• HBJC153I05-6412G4 (Expansion PCIE 4 * Lan Card / 10 * LAN)</li> <li>• HBJC153I05-6412B4 (Expansion PCIE 4 * ByPass Lan Card / 10 * LAN)</li> </ul>
<b>CPU / Chipset</b>	<ul style="list-style-type: none"> <li>• Intel® Elkhart Lake J6412 SoC Processor</li> </ul>
<b>BIOS</b>	<ul style="list-style-type: none"> <li>• AMI Flash ROM</li> </ul>
<b>Memory</b>	<ul style="list-style-type: none"> <li>• 1* DDR4 3200MHz SO-DIMM up to 32GB</li> </ul>
<b>Network</b>	<ul style="list-style-type: none"> <li>• 6* Intel i225-V 2.5GbE</li> <li>(support 2 pairs ByPass 2.5GbE option)</li> </ul>
<b>Graphics</b>	<ul style="list-style-type: none"> <li>• Intel® HD Graphics, shared memory</li> <li>• 1* HDMI (Max Resolution: 1920×1080@60Hz)</li> </ul>
<b>Storage</b>	<ul style="list-style-type: none"> <li>• 1* M.2 M-key (2242, SATA/PCIe Gen.3 x2 interface) support NVMe</li> <li>• 32GB EMMC Onboard (option)</li> <li>• 1* 2.5" SATA Device (support 2.5" HDD with a height ≤ 10mm)</li> </ul>
<b>Expansion</b>	<ul style="list-style-type: none"> <li>• 1* M.2 E Key (2230, USB2.0/PCIe Gen.3 x1 interface)</li> <li>• 1* M.2 B Key (3042, USB3.1 interface)</li> </ul>
<b>Rear Panel I/O</b>	<ul style="list-style-type: none"> <li>• AC input</li> <li>• Power SW</li> </ul>
<b>Front Panel I/O</b>	<ul style="list-style-type: none"> <li>• 6*LAN (MB) , 4*LAN (Expansion PCIE 4 * Lan Card)</li> <li>• 1* RS232 (COM1-RJ45 TYPE)</li> <li>• 1*HDMI</li> <li>• 2*COM (COM2-RS232/422/485)(COM3-RS232) , 1*GPIO</li> <li>• 1* USB3.1 , 1*USB2.0</li> <li>• 1* Power LED , 1* Alarm LED</li> </ul>
<b>Internal Connector</b>	<ul style="list-style-type: none"> <li>• SIM Card Holder</li> </ul>
<b>Power Source</b>	<ul style="list-style-type: none"> <li>• MB : DC12V input</li> <li>• POWER : 1U FLEX 250W POWER</li> </ul>
<b>Compliance</b>	<ul style="list-style-type: none"> <li>• CE, FCC, LVD, RoHS, ErP Ready</li> </ul>
<b>Dimensions</b>	<ul style="list-style-type: none"> <li>• System: 430(W) x 252 (D) x 44 (H) mm</li> <li>• Box: 530 (W) x 353 (D) x 142 (H) mm</li> </ul>

<b>Temperature</b>	<ul style="list-style-type: none"> <li>• Operating Temperature: 0 ~ 50° C</li> <li>• Storage Temperature: -40 ~ 85° C</li> <li>• Humidity : 10%~95% @40° C (non-condensing)</li> </ul>
<b>OS Support</b>	<ul style="list-style-type: none"> <li>• Windows 11, Linux</li> </ul>
<b>Warranty</b>	<ul style="list-style-type: none"> <li>• 2 Years limited warranty</li> </ul>

\* Specifications subject to change without notice, not responsible for typographical errors. Does not include HDD or OS.

## Part Number Rules



## Standard Accessories

Part Number	Description
-----	HBJC153I05 Series
G01-VGA2-18K16-F	VGA cable/ L=18cm
G01-GPIO9-M30-F	GPIO cable COM9/M L=30cm
Change according to shipping area	Power cord
LCSCJC150-F	Screw pack

## Mechanical Drawings (Unit=mm)

