

# M1861

## 18.5" Fanless Medical Infotainment Terminal



### Features

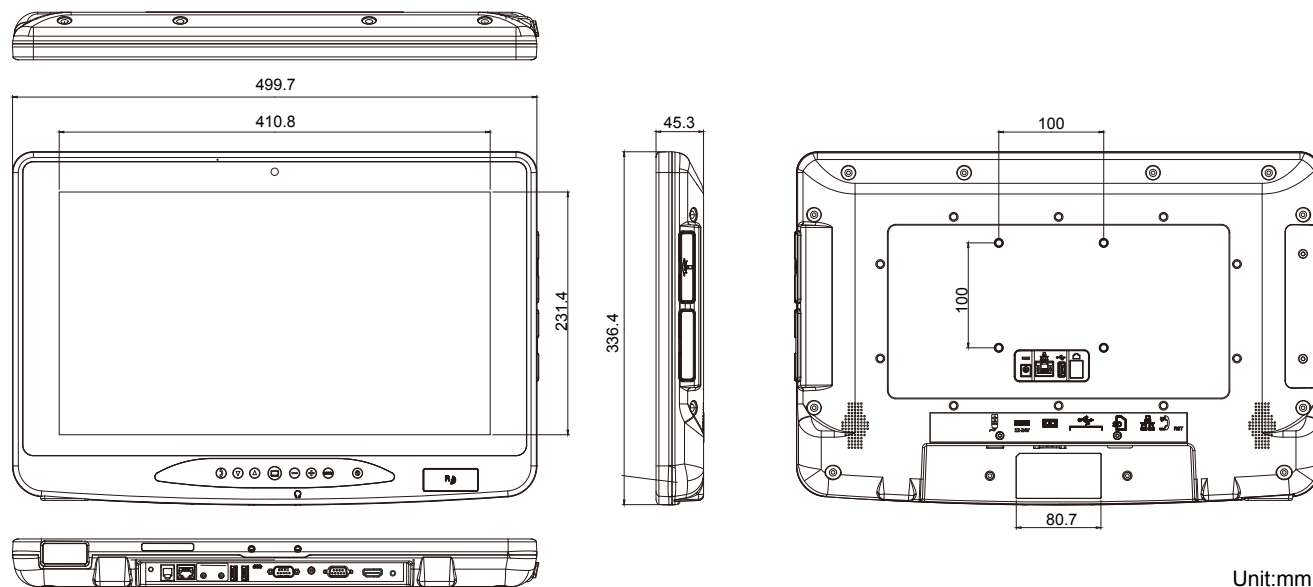
- Flush front bezel ID design
- ARM Quad-Core Cortex-A17 CPU 1.8G Hz, Android-based
- 18.5" LCD with 10-point projected capacitive multi-touch
- Applicable for bedside infotainment and self-registration
- IEC & EN 60601-1 (Edition 3.1) and IEC & EN 60601-1-2 (Edition 4th) certified
- Ventless design, water-proof and dust resistant
- Patient identification through Integrated RFID & NFC, barcode scanner and smart card reader
- Light bar indicator for incoming call, reading light or nurse call alarm (optional)

System	
CPU	ARM Quad-Core Cortex-A17 CPU 1.8G Hz, Android-based
GPU	Mali-T764
Memory	2GB DDR3L memory soldered on board
Storage	16GB eMMC Flash soldered on board
Peripherals and Devices	
WLAN & Bluetooth	1 x WLAN 802.11 a/b/g/n & Bluetooth 4.0 + BLE
Smart Card Reader	1 x Smart Card Reader slot
Camera	1 x 720P front-facing CCD camera
Barcode Scanner	1 x 1D/2D Barcode Scanner (optional)
Phone	1 x VoIP phone blower (optional)
Remote Controller	1 x wired remote controller with VoIP phone and function-key keypad (optional)
RFID & NFC	1 x 13.56MHz RFID & NFC reader with ISO 14443A/14443B/15693 support (optional)
I/O Interface	
Audio	2 x 3W speakers, 1 x built-in microphone 1 x Mic-in, 1 x speaker-out on bottom Line
LAN	2 x RJ-45 GbE connectors
Serial Port	1 x RS-232 port on bottom line (DB-9 connector)
USB Port	3 x USB 2.0 ports 1 x Micro USB 2.0 port
SD Slot	1 x SD card slot (Max. 32GB)
HDMI Port	1 x HDMI in port (optional)
Button & Indicator	
Button	1 x Power on/off button 1 x Home button 1 x Volume up button 1 x Volume down button 1 x LCD on/off button 1 x Channel up button 1 x Channel down button 1 x Phone on/off button 1 1 x Reset button
Indicator	1 x Light bar indicator for incoming call, reading light or/and nurse call alarm (optional)

Touch Screen	
Type	10-point Projected Capacitive Multi-Touch (Flush-mounted)
Light Transparency	80% (typ.)
LCD Display	
Size/Type	18.5" TFT color LCD
Max. Resolution	1366 x 768 (WXGA) with 16.7M colors
Luminance	250 nits (typ.)
Contrast Ratio	1000 : 1 (typ.)
Backlight Type	LED
View Angle (U/D/R/L)	80°/80°/85°/85° (typ.)
Power Requirement	
Adapter Input	100 ~ 240 VAC (full range)
Adapter Output	DC 12~24V, 3.25A, 65W (Max.) with medical certificate
Mechanical & Environmental	
Operating Temp.	0 ~ 40°C (32 ~ 104°F)
Storage Temp.	-20 ~ 60°C (-4 ~ 140°F)
Operating Humidity	10 ~ 95% @ 40°C (non-condensing)
Dimensions (W x H x D)	499.7 x 336.4 x 45.3 mm (19.67" x 13.24" x 1.78")
Net Weight	3.9 kg (8.59 lb)
Vibration	1 Grms/ 5 ~ 500Hz/ random operation
Shock	10G/peak (11ms)
Mounting	VESA-100 compatible (M6)
IP Rating	Compliance design with IP65 (front touch panel)
Operational Altitude	Below 2000m
Regulatory	CE, FCC Part 18 Subpart C IEC & EN 60601-1 Safety (Edition 3.1), IEC & EN 60601-1-2 EMC (Edition 4th)
OS Support	
Android™	5.1.1 / Android™ 7.1
Ordering Information	
M1861	18.5" fanless ARM Quad-Core Cortex-A17 CPU 1.8G Hz, Medical PC with flush-mounted projected capacitive multi-touch screen



## Dimensions



Unit:mm

### Standard Accessories

PAC-M065W 65W medical-grade AC/DC adapter kit



### Optional Accessories

Phone-1858 VoIP phone with RJ-11 cable



Remote Controller-1861 Wired remote controller with VoIP phone and function-key keypad



ARM-Kits VESA-75/100 medical arms

### Optional Configuration (CTOS\* Kit) (Not Sold Separately)

RFID & NFC-1860 RFID & NFC module kit



BarC-1860 Barcode scanner module kit



\*CTOS means Configure-to-Order Service.