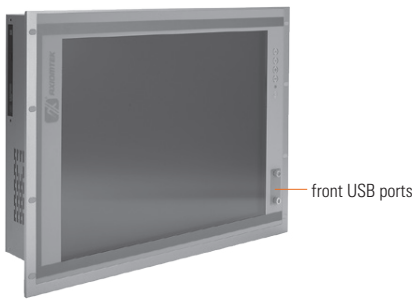
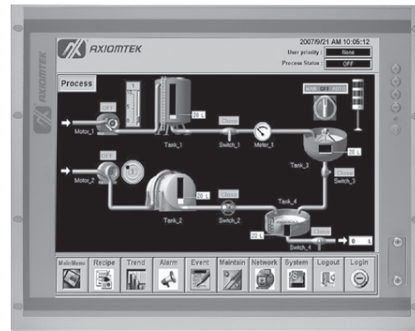


P1197E-500 NEW

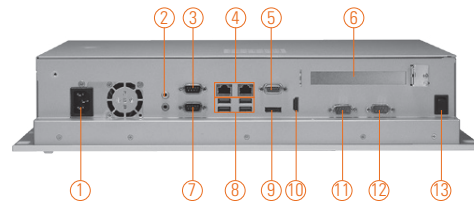
19" SXGA TFT Expandable Industrial Touch Panel Computer with 6th Gen Intel® Core™ i7/i5/i3, Celeron® & Pentium® Processor, 1 PCI or 1 PCIe Slot

Features

- 19" SXGA TFT LCD display
- LGA1151 socket 6th gen Intel® Core™ i7/i5/i3, Celeron® & Pentium® processor
- Intel® H110 chipset
- Less screw design for easy installation
- 4 USB 3.0, 2 USB 2.0 and 4 COM ports
- One PCIe x4 or one PCIe expansion slots
- Built-in speakers and optional Wi-Fi 802.11 b/g/n module
- Robust aluminum with IP65 compliant front bezel design



▲ Optional ODD Drive



- | | | |
|----------------------------|----------------------------|--------------------|
| 1. AC Plug | 6. 1 x PCIe x 4 or 1 x PCI | 11. COM 3 (RS-232) |
| 2. Audio (Mic-in/Line-out) | 7. COM 2 (RS-232) | 12. COM 4 (RS-232) |
| 3. COM 1 (RS-232/422/485) | 8. USB 3.0 x 4 | 13. Power switch |
| 4. Ethernet x 2 | 9. DisplayPort x 1 | |
| 5. VGA x 1 | 10. HDMI x 1 | |



Introduction

The P1197E-500 is a multimedia 19" touch panel PC for kiosk application. It has a fashionable mechanism design and industrial-grade material front bezel which can avoid damage from chemical corrosion. To meet the demands of multimedia application, the P1197E-500 is powered by a high performance LGA1151 socket 6th generation Intel® Core™ processor with the Intel® H110 Express chipset. It features four COM ports, two Gigabit Ethernet and up to 32GB memory of dual-channel DDR4-2133 that delivers high computing capability for high performance-demanding applications. The industrial touch panel PC is most suitable for kiosk, factory and automation.

Expandable for 1 PCIe or 1 PCI

The P1197E-500 has 1 PCIe x4 or 1 PCI slot for expansion purpose. User can easily plug in standard half-size PCI or PCIe card based on any application needs.

Speaker and WLAN Antenna Supported

The P1197E-500 features built-in speakers for kiosk application to display multimedia content program. It also supports WLAN module antenna (optional) for wireless network connectivity.

Friendly Less Screw Design

The P1197E-500 is designed with ease of maintenance in mind. There are only three screws on the back chassis, so that technicians can quickly remove the system's back cover with minimum effort.

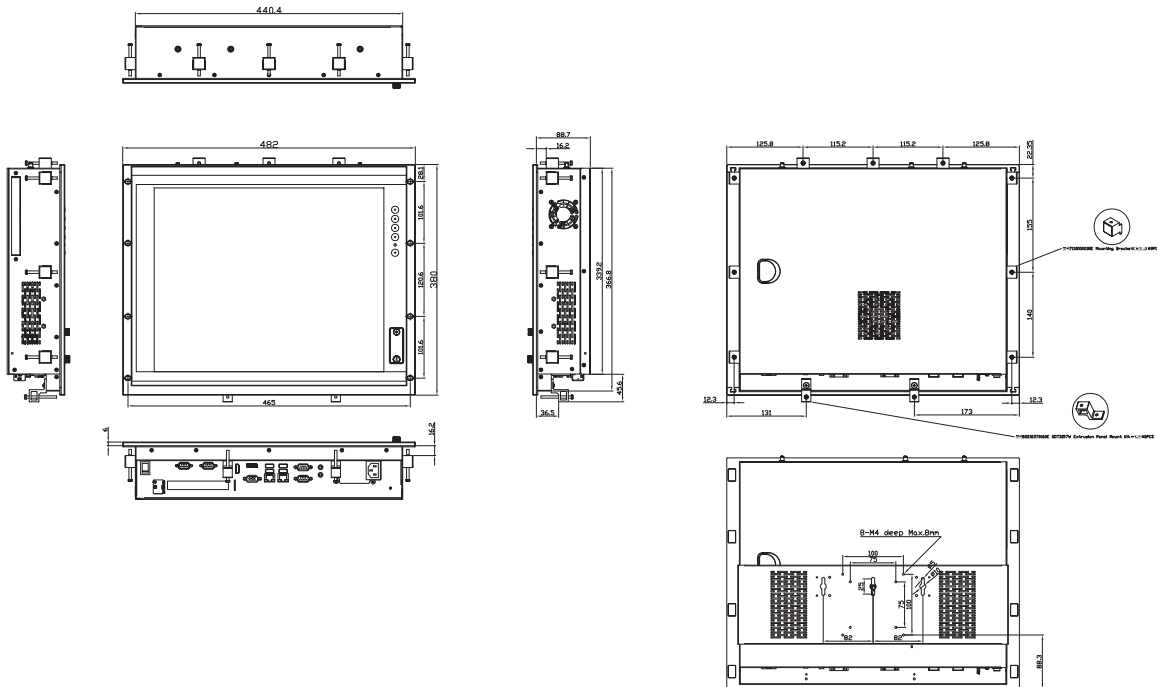
Specifications

Front Bezel	Aluminum w/ IP65/NEMA 4 rugged protection	
LCD Panel	Display Type	19" SXGA TFT LCD
	Brightness	250 nits
	Resolution	1280 x 1024 pixels
	Viewing Angle	170°/160°
Main System	CPU	LGA1151 socket 6th generation Intel® Core™ i7/i5/i3, Celeron® & Pentium® processor
	Chipset	Intel® H110
	System Memory	2 x 288-pin DDR4-2133 Long-DIMM, up to 32GB
	BIOS	AMI UEFI BIOS
	Storage	1 x 3.5" or 1 x 2.5" SATA HDD
	Drive	1 x builtin slim DVD-RW (optional)
	Watchdog Timer	255 levels, 1-255 sec.

Specifications

IO Connector	3 x RS-232 (COM 2-4) 1 x RS-232/422/485 (COM 1) 1 x HDMI 1 x VGA 1 x Display Port 4 x USB 3.0 (back) 2 x USB 2.0 (front) 2 x 10/100/1000 Mbps Ethernet (Intel® i219LM/i211AT) 1 x Audio (Mic-in/Line-out) 1 x PS/2 Keyboard & mouse combo
Expansion Interface	1 x PCIe x4 or 1 x PCI
Touchscreen	5-wire resistive type Light transmission 79% 1 million activations (typical) at a single point
Power Supply	100 ~ 240 VAC, 270 W
Power Consumption	157 W
Dimensions	482 mm (18.98") (W) x 94.7 mm (3.73") (D) x 380.8 mm (14.99") (H)
Packing Dimension	615 mm (24.21") (W) x 250 mm (9.84") (D) x 585 mm (23.03") (H)
Weight(net/gross)	8 kg (17.64 lb)/ 10.4 kg (22.93 lb)
Environment	Operating temperature: 0°C ~ +45°C (+32°F ~ +113°F) Relative humidity: 10% ~ 90% @ 40°C, non-considering Operating vibration: 1.0G, 5-500Hz, random
Certificate	CE

Dimensions



Ordering Information

P1197E-500 w/ PCIe	19" SXGA expandable industrial touch panel computer with LGA1151 socket 6th generation Intel® Core™ i7/i5/i3, Pentium® & Celeron® processor, resistive touch screen and 1 PCIe x4 slot, 100-240 VAC
P1197E-500 w/ PCI	19" SXGA expandable industrial touch panel computer with LGA1151 socket 6th generation Intel® Core™ i7/i5/i3, Pentium® & Celeron® processor, resistive touch screen and 1 PCI slot, 100-240 VAC

* Specification and certifications are based on requirements and may vary.

Optional Accessories

82211970060E	DVD-RW kit
82211970070E	VESA & wall mount kit
82231870240E	Wireless LAN kit
E981604011	ATC10 (VESA arm clamp type)
E981604012	ATW10 (VESA arm wall mount)

Optional OS Installation

Windows® 10
Windows® 10 IoT Enterprise



▲ Less screw design

