

GS65 Display

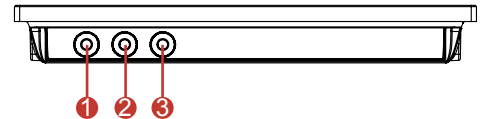


15" (4:3)

Specifications

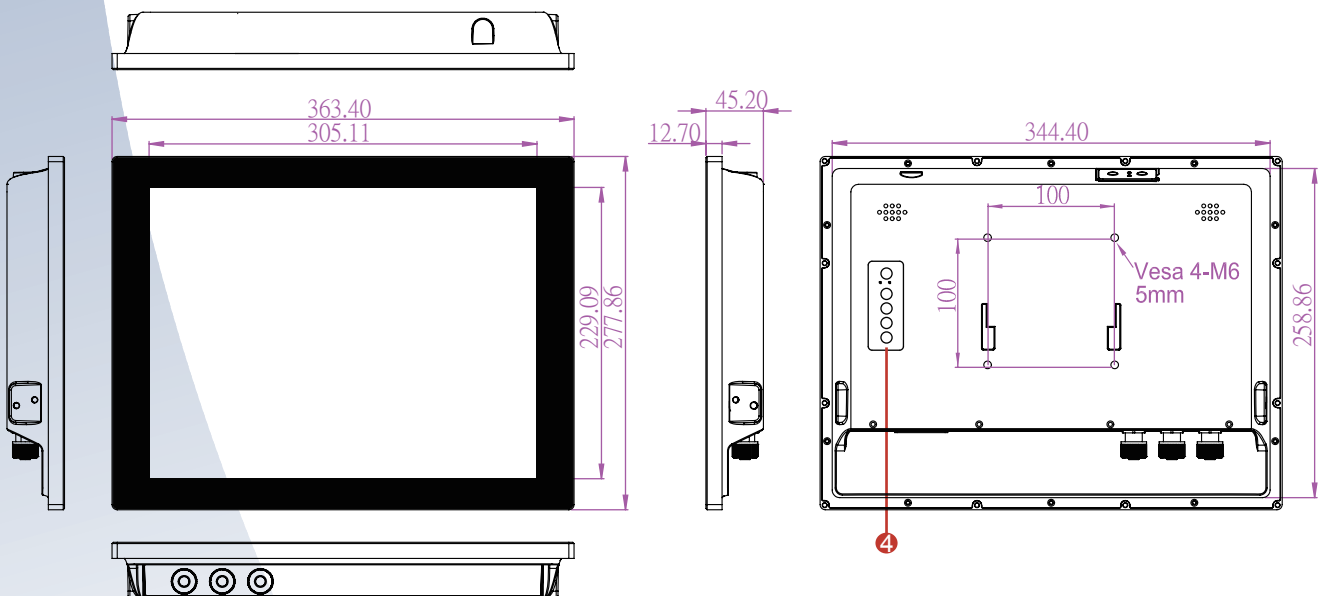


Model Name	R15L600-GSC3(HB)
Viewable Size Image	15" TFT
Active Display Area(mm)	304.1 (H) x 228.1 (V)
Display Resolution	1024x768
Pixel Pitch(mm)	0.297 (H)x0.297(V)
Recommended Resolution	1024x768@60Hz
Contrast Ratio	700:1 (typ.)
Brightness(cd/m ²)	250 cd/m ² (typ.) Optional for High Brightness 1000 cd/m ² (typ.)
Viewing Angle(CR>=10)	-80~80 (H); -70~70 (V)
Power Source	9~36V DC (M12 type)
Power Consumption	20 W typical, normal operation
Power Management	VESA DPMS Compliant
Plug & Play	Yes
Input Ports	1 x VGA, 1 x USB for Touch
Touch Screen	Projective Capacitive Touch(USB) (optional protection glass)
Operating Temperature	-15°C~55°C
Storage Temperature	-30°C~70°C
Operating Humidity	10%~95% (non-condensing)
IP Rating	Full IP65
Shock Operating	30g for 18ms, 300m/s ²
Vibration Operating	1.60/1.96/2.18 g rms for XYZ/ 5-500Hz
Certifications & Standards	Compliant with MIL-STD-810F/G for vibration / shock, CE, FCC



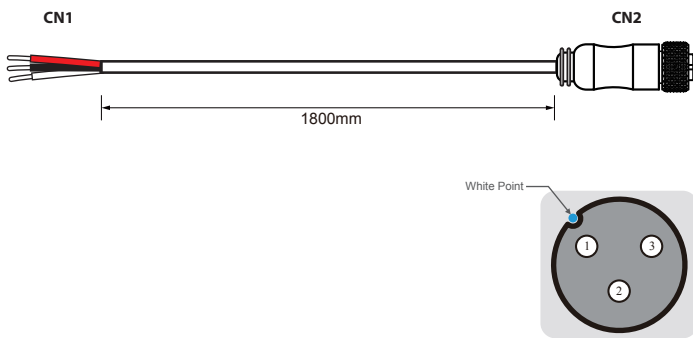
1. 9~36V DC (M12 type)
2. VGA (M12 type)
3. USB For Touch(M12 type),
only with Touch
4. OSD Power

Mechanical Drawing



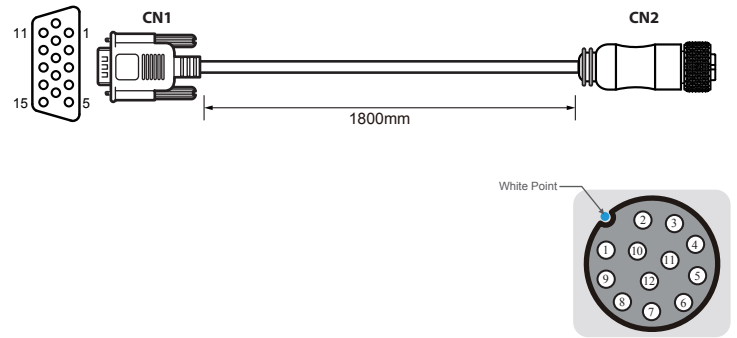
GS65 Display

M12 Power Cable



Pin No.	Symbols	Color		Pin No.	Symbols	Color
CN1-1	VCC+	Red	↔	CN2-1	VCC+	Red
CN1-2	GND	Black	↔	CN2-2	GND	Black
CN1-3	VCC-	White	↔	CN2-3	VCC-	White

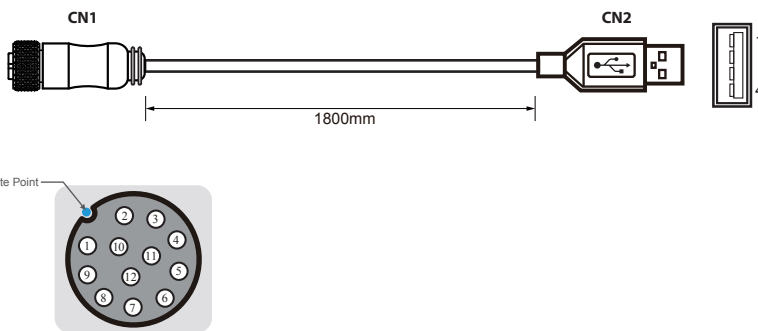
VGA Cable



Pin No.	Symbols	Color		Pin No.	Symbols	Color
CN1-1	R	Red	↔	CN2-1	R	Red
CN1-6	R-GND	Black	↔	CN2-2	R-GND	Black
CN1-5	G	Green	↔	CN2-3	G	Green
CN1-7	G-GND	Black	↔	CN2-4	G-GND	Black
CN1-3	B	Blue	↔	CN2-5	B	Blue
CN1-8	B-GND	Black	↔	CN2-6	B-GND	Black
CN1-12	SDA	Yellow	↔	CN2-7	SDA	Yellow
CN1-13	HS	Orange	↔	CN2-8	HS	Orange
CN1-14	VS	White	↔	CN2-9	VS	White
CN1-15	SCL	Brown	↔	CN2-10	SCL	Brown

coaxial
coaxial
coaxial

USB for Touch Cable



Pin No.	Symbols	Color		Pin No.	Symbols	Color
CN1-2	VCC	Red	↔	CN2-1	VCC	Red
CN1-3	D-	White	↔	CN2-2	D-	White
CN1-4	D+	Green	↔	CN2-3	D+	Green
CN1-5	GND	Black	↔	CN2-4	GND	Black
CN1-9	GND	Black	↔	CN2 Shell	Black	

twisted pairs