

P-Cap Panel Mount LCD Front side IP65



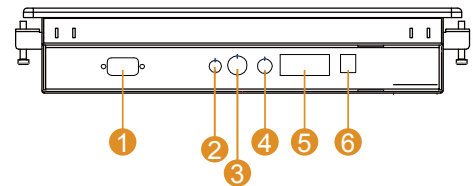
10.4" P-Cap LCD

Specifications



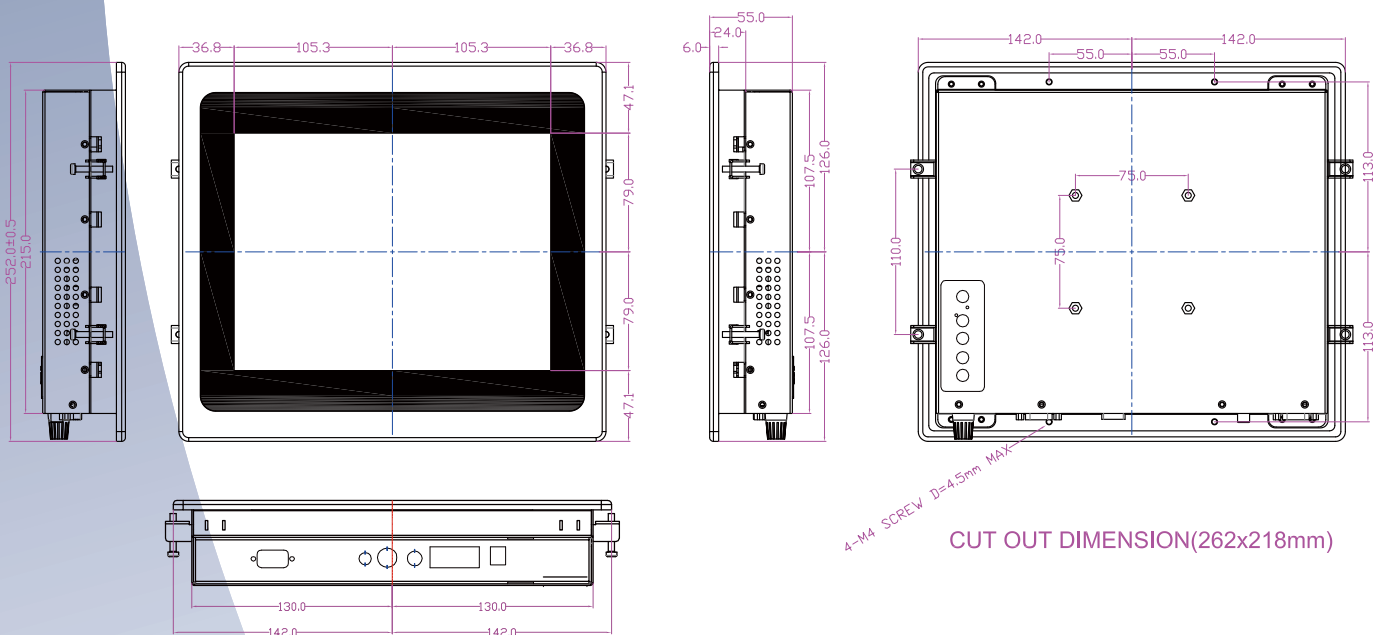
Model Name	R10L100-PPT2HB
Viewable Size Image	10.4"
Active Display Area (mm)	210.4 (H) x 157.8 (V)
Display Resolution (pixel)	1024 (H) x 768 (V)
Pixel Pitch (mm)	0.0685 (H) x 0.2055 (V)
Synchronization Range Horizontal / Vertical	31.5~46.9 KHz / 60~75 Hz
Contrast Ratio	1000:1
Brightness (cd/m ²)	1000 (typ.)
Viewing Angle (CR>=10)	-88,88 (H); -88,88 (V)
Power Source	12V DC in, with External AC to DC Adapter (100~240V AC)
Power Consumption	12 W typical, normal operation
Power Management	VESA DPMS Compliant
Optional Video Input	S-Video, Composite
Plug & Play	VESA DDC 1/2B
Touch Screen	Projective Capacitive Touch (USB)

Remarks: R10L100 series= VGA input only
R10L110 series= VGA+Video Input



- 1. Touch/USB (Optional)
- 2. Audio (Optional)
- 3. S-Video (Optional)
- 4. Composite (Optional)
- 5. VGA
- 6. DC in 12V

Mechanical Drawing



* Note: this is a simplified drawing and some components are not marked in detail. Please contact our sales representative if you need further product information.