

SKY 2-2I610DW

Compact Fanless Embedded Computer with
6th / 7th Gen Intel® Skylake-U /
Kaby Lake-U i7 / i5 / i3 processor



Features:

- 6th / 7th Gen Intel® Skylake-U / Kaby Lake-U i7 / i5 / i3 processor
- 1 x DDR4 SODIMM socket, Max. 16GB
- Independent display: VGA
- 3 x Intel GbE LAN, 3 x USB 3.0, 2 x COM
- 2 x Mini PCIe, 4DI / 4DO

Specifications :

Motherboard	2I610DW
CPU	6th / 7th Gen Intel® Skylake-U / Kaby Lake-U CPU
Chipset	Intel® Skylake-U / Kaby Lake-U SoC
Memory	1 x DDR4 SODIMM socket, Max. 16GB
Storage	mSATA, HDD / SSD*
Expansion slots	1 x Full-size Mini PCIe (PCIe / mSATA / USB) 1 x Full-size Mini PCIe (PCIe / USB 3.0)
I/O ports	Network 3 x Intel GbE USB 3 x USB 3.0 Serial ports 2 x RS232 / 422 / 485 Display 1 x VGA
Optional Modules & Accessory	GPS, Bluetooth, PoE, WiFi, 4G LTE, Isolated COM, battery UPS, DI / DO, Video Input *SATA Kit, Wall Mount Kit, DIN Rail Mounting Kit *External power adapter
OS Support	7th Generation Intel® Core™ Processor family: Kaby Lake Windows® 10 IOT (64bit), Ubuntu 16.04.3 above, Fedora 26 above, CentOS 7.4 above 6th Generation Intel® Core™ Processor family: Skylake Windows® 10 IOT (64bit) Windows® 8.1 (64bit) Windows® Embedded 8 Standard (64bit) Windows® 7 (64bit) Windows® Embedded Sta 7 (64bit) Ubuntu 16.04.3 above, Fedora 26 above, CentOS 7.4 above

Mechanical

Dimensions	141W x 111.2D x 71.9H mm
Weight	1.36 kg
Mounting	DIN Rail Mount*, Wall Mount*

Power

DC input	+9V~36V
AC input	External AC-DC adapter 100 / 240V (optional)

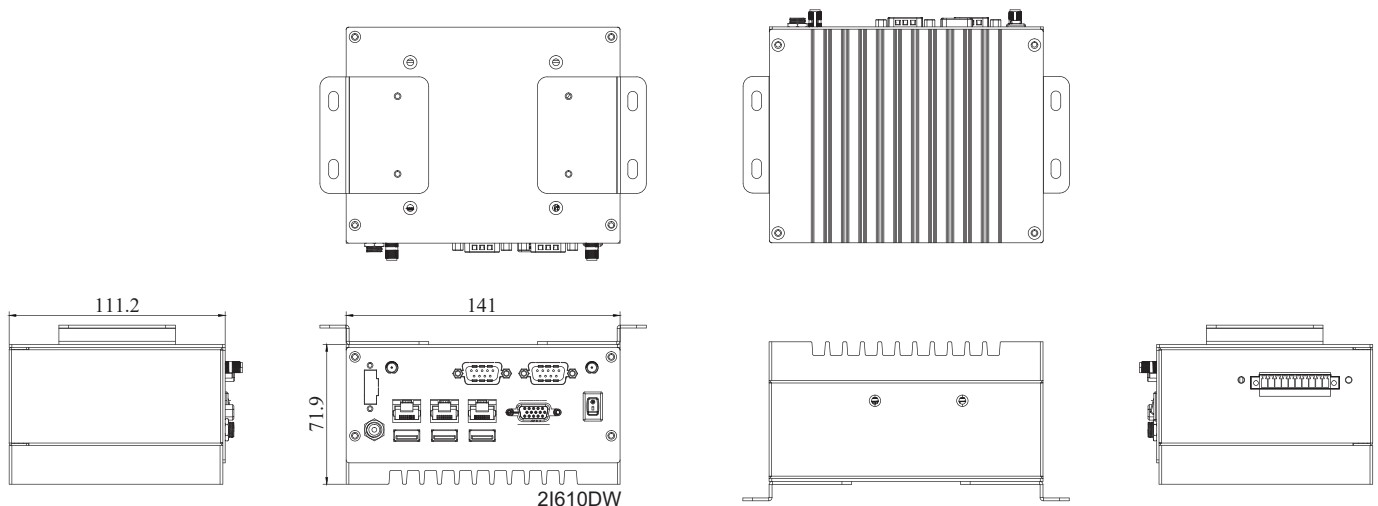
Environment

Operating Temp.	-20°C to +60°C (Celeron 3955U) -20°C to +50°C (Core i5 6200U) -20°C to +50°C (Core i7 6600U)
Storage Temp.	-20°C to +70°C
Relative Humidity	95% @ 40°C, non-condensing

Certification

CE / FCC class A

Dimension



Specification are subject to change without prior notice. ODM / OEM is available.