



I-8057W-G

16-channel Isolated Digital Output Module

I-8057PW-G

16-Channel Isolated Self Protected Digital Output Module

Features

- 16-channel Open Collector Output
- Sink-type Digital Output
- Short circuit protection, Overvoltage Protection and Overload Protection for I-8057PW
- 3750 Vdc Intra-module Isolation



Introduction

The I-8057W/I-8057PW module offers 16 Digital Output channels, each of which features Photocouple isolation and supports sink-type output using an Open Collector. The I-8057W/I-8057PW includes 16 LED indicators that can be used to monitor the status of the Digital Output channels. 4 kV ESD protection and 3750 Vdc intra-module isolation is provided as standard.

The I-8057PW integrates over-current, over-voltage and short-circuit functionality. ICP DAS recommends selecting either the "PW" version of the digital output module for industrial use.

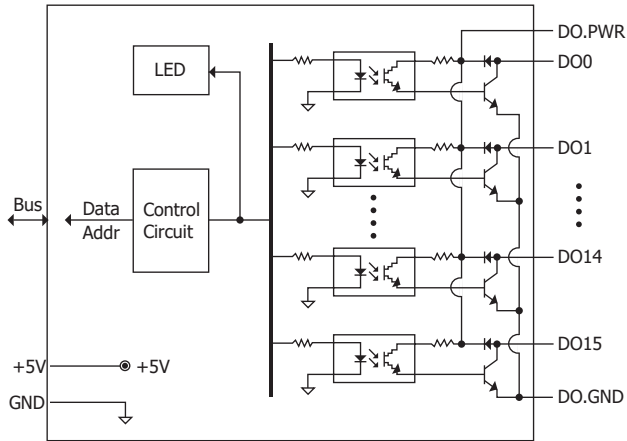
System Specifications

Model	I-8057W	I-8057PW
LED Indicators/Display		
System LED Indicator	1 LED as Power Indicator	
I/O LED Indicator	16 LEDs as Digital Output Indicators	
Isolation		
Intra-module Isolation, Field-to-Logic	3750 Vdc	
EMS Protection		
ESD (IEC 61000-4-2)	±4 kV Contact for each Terminal	
Power		
Power Consumption	0.9 W max.	
Mechanical		
Dimensions (W x L x H)	30 mm x 102 mm x 115 mm	
Environment		
Operating Temperature	-25 ~ +75 °C	
Storage Temperature	-40 ~ +85 °C	
Humidity	10 ~ 90% RH, Non-condensing	

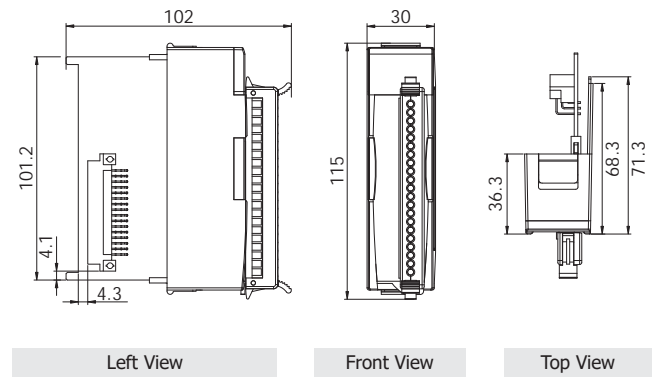
I/O Specifications

Model	I-8057W	I-8057PW
Digital Output		
Channels	16	
Type	Isolated Open Collector	
Sink/Source (NPN/PNP)	Sink	
Max Load Current	100 mA/Channel	
Load Voltage	+5 ~ +30 VDC	+10 ~ +50 VDC
Overvoltage Protection	-	+60 VDC
Overload Protection	-	1.1 A
Short-circuit Protection	-	Yes

Internal I/O Structure



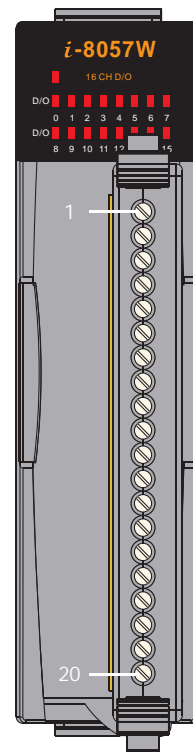
Dimensions (Units: mm)



Wire Connections

Input Type	ON State LED ON Readback as 1	OFF State LED OFF Readback as 0
Drive Relay	Relay ON 	Relay OFF
Resistance Load		

Pin Assignments



Terminal No.	Pin Assignment
01	DO0
02	DO1
03	DO2
04	DO3
05	DO4
06	DO5
07	DO6
08	DO7
09	DO8
10	DO9
11	DO10
12	DO11
13	DO12
14	DO13
15	DO14
16	DO15
17	DO.GND
18	DO.GND
19	DO.PWR
20	DO.PWR

Ordering Information

I-8057W-G CR	16-channel Isolated Digital Output Module (Gray Cover) (RoHS)
I-8057PW-G CR	16-channel Isolated Self Protected Digital Output Module (Gray Cover) (RoHS)