

APPD 1200-1

12.1" IP65 Industrial 4:3 XGA LCD Flush Touch Monitor



Main Features

- ♦ IP65 compliant plastic front bezel with flush panel by 5-wire touch screen
- ♦ Triple display input interface: analog VGA/DVI-D/DisplayPort
- ♦ Shares identical appearance with APPC series
- ♦ Dual touch screen interface: RS232 and USB (optional)
- ♦ Ultra slim in depth
- ♦ Multiple mounting way for easy integration

Product Overview

12.1" 4:3 LCD display APPD 1200-1 is based on a 5-wire resistive touch screen. It has 500 nits brightness and can support resolutions up to 1024 x 768. APPD 1200-1 is ideal for space-critical environments where systems and displays are kept apart. In addition, APPD 1200-1 adopts a flush panel design and has IP65 front panel. APPD 1200-1 provides prevailing video interfaces: VGA, DVI and DisplayPort supporting both digital and analog signals; touch screen can be connected with RS232 or USB ports. Moreover, APPD 1200-1 supports 24VDC $\pm 20\%$ power input and offers panel mount and VESA mount, allowing users to choose the mounting method that meets their situation. APPD 1200-1 is the best solution for NEXCOM NISE fanless computer, NVIS security surveillance series and APPC panel PC when a second display is required.

Specifications

Panel

- ♦ LCD size: 12.1", 4:3
- ♦ Resolution: XGA 1024 x 768
- ♦ Luminance: 500cd/m²
- ♦ Contrast ratio: 700
- ♦ LCD color: 16.7M
- ♦ Viewing angle: 70 (U), 70 (D), 80 (L), 80 (R)
- ♦ Backlight: LED

Touch Screen

- ♦ 5-Wire resistive (flush panel type)
- ♦ Light transmission: 80%
- ♦ Interface: USB and RS232 (optional)

Rear I/O

- ♦ Touch screen interface port: RS-232 (1 x DB9)/USB type A
- ♦ Video port: VGA (1 x DB15)/DVI-D (1 x DVI-I connector)/DisplayPort
- ♦ DC power input connector: 3-pin Phoenix terminal Blocks

OSD Function

- ♦ OSD keypad

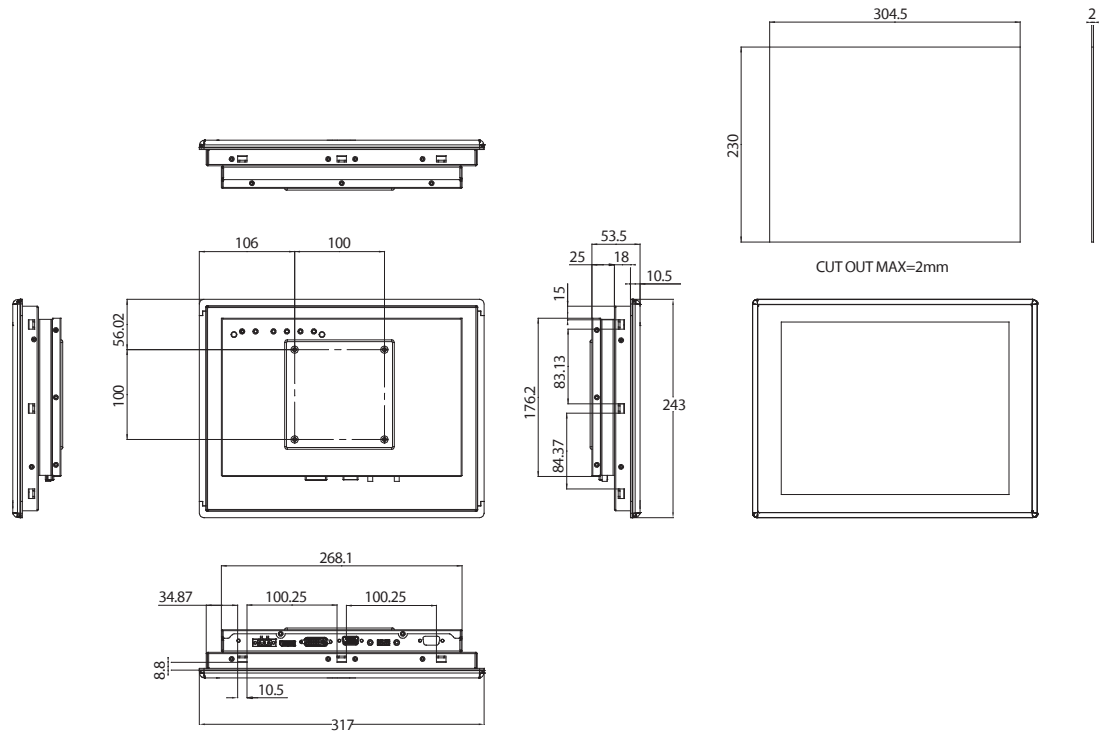
Mechanical & Environment

- ♦ Color: Pantone black and black silver chassis box
- ♦ IP protection: IP65 front
- ♦ Mounting: panel/wall/stand/VESA 100mm x 100mm
- ♦ Power
 - Power input: 24VDC $\pm 20\%$
 - Optional 24V, 60W AC/DC power adapter w/o power cord limits to be at 90% RH at max 50°C
- ♦ Vibration
 - IEC 68 2-64
 - 2Grms @ sine, 5~500Hz, 1hr/axis (operating)
 - 2.2Grms @ random condition, 5~500Hz, 0.5hr/axis (non-operating)
- ♦ Shock
 - IEC 68 2-27
 - 20G@wall mount, half sine, 11ms
 - Operating temperature: -20°C~60°C
 - Storage temperature: -20°C~75°C
- ♦ Operating humidity: 10%~90% relative humidity, non condensing limits to be at 90% RH at max 50°C
- ♦ Dimension: 317 x 243 x 53.5mm
- ♦ Weight: 2.8 kg

Certifications

- ♦ CE approval
- ♦ FCC Class B

Dimension Drawing



Ordering Information

- ♦ **APPD 1200-1 (P/N: 10IA0120000X0)**
12.1" XGA industrial 4:3 TFT LED backlight flush touch monitor with VGA, DVI-D and DisplayPort, 24VDC input, RS-232 and USB touch screen interfaces

Options

- ♦ **24V, 60W AC/DC power adapter w/o power cord (P/N: 7400060054X00)**
- ♦ **1.8m DVI-D male to DVI-D male cable (P/N: 603DVI0007X00)**