

WP-8000-CE7

Highlight Information

- Windows CE 7.0
- Cortex-A8 (1.0 GHz)
- Hard Real-Time Capability
- 64-bit Hardware Serial Number
- Rich I/O Expansion Ability (RS-232/RS-485, FRnet,CAN)
- Redundant Power Input
- Operating Temperature: -25 ~ +75 °C

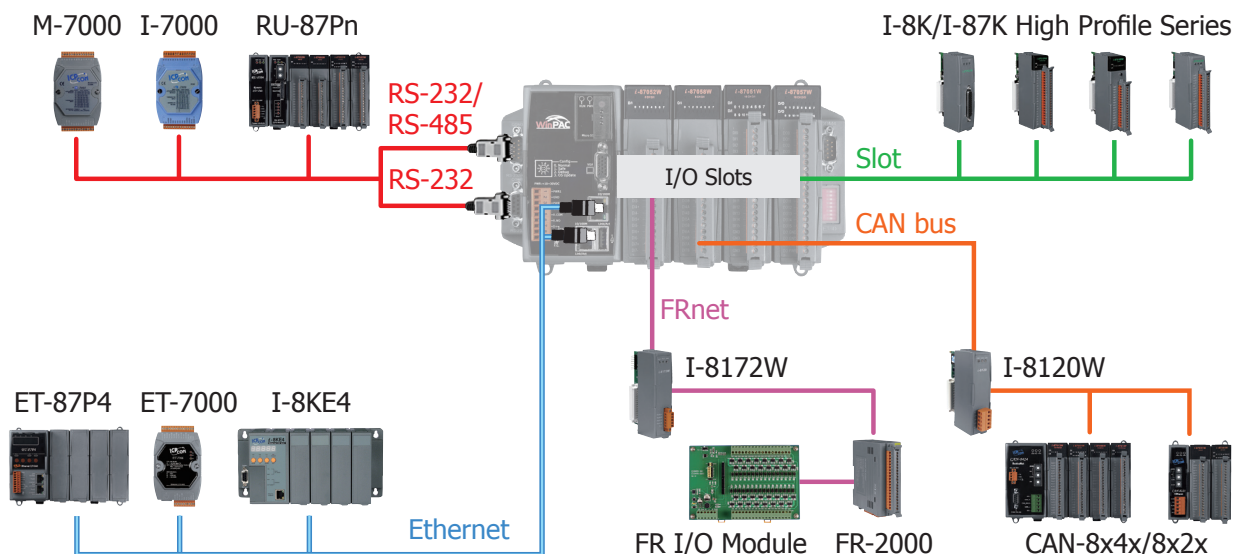


Introduction

The WP-8000-CE7 is the new generation Windows CE 7.0 based PAC (Programmable Automation Controller) of ICP DAS. Each WP-8000-CE7 is equipped with a Cortex-A8 (1.0 GHz) CPU running a Windows CE 7.0 operating system, a variant of input/output ports (VGA, USB, Ethernet, RS-232/485), and 1/4/8 expansion I/O slots that can be used to integrate high performance I-8K (parallel-type) and I-87K (serial-type) series I/O modules.

Its operating system, Windows CE 7.0, has many advantages, including hard real-time capability, small core size, fast boot speed, interrupt handling at a deeper level, achievable deterministic control and low cost. Using Windows CE 7.0 in the WP-8000-CE7 gives it the ability to run PC-based Control software such as Visual Basic.NET, Visual C#, Visual C++, SCADA software, Soft PLC ...etc.

Application

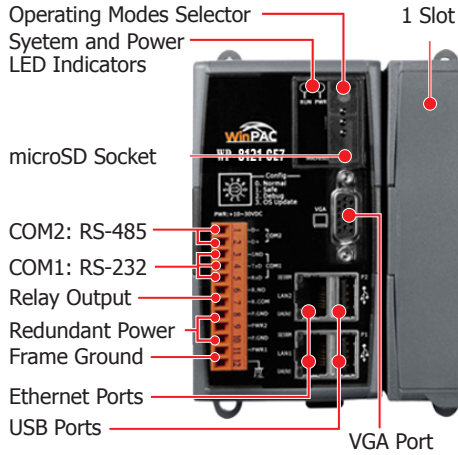


Specifications

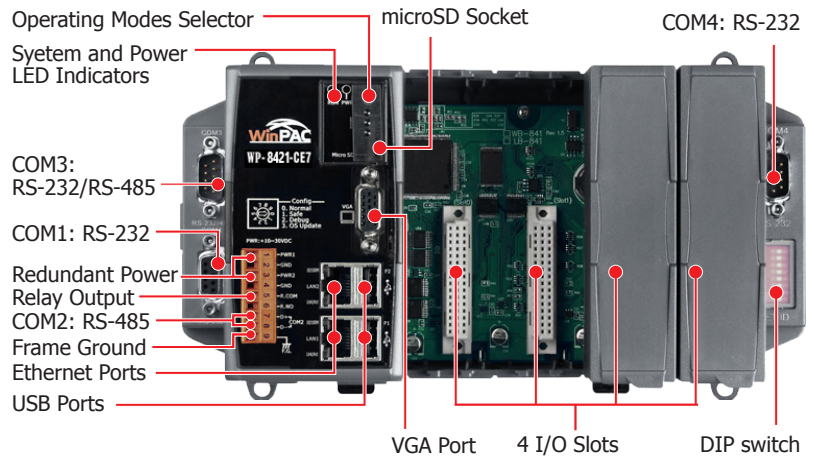
Models	WP-8121-CE7	WP-8421-CE7	WP-8821-CE7
System Software			
OS	Windows CE 7.0		
.Net Compact Framework	3.5		
Embedded Service	FTP server, Web server (supports VB script, JAVA script), Embedded SQL server		
SDK Provided	DLL for VC, DLL for Visual Studio.Net 2008		
Multilanguage Support	English, German, French, Spanish, Russian, Italian, Korean, Simplified Chinese, Traditional Chinese		
CPU Module			
CPU	Cortex-A8 (1.0 GHz)		
SDRAM	512 MB DDR3		
MRAM	128 KB		
Flash	256 MB		
EEPROM	16 kB		
microSD	microSD slot with one microSD card (support up to 32 GB)		
RTC (Real Time Clock)	Provide second, minute, hour, date, day of week, month, year		
64-bit Hardware Serial Number	Yes, for Software Copy Protection		
Dual Watchdog Timers	Yes		
Programmable LED Indicator	1		
Rotary Switch	Yes (0 ~ 9)		
DIP Switch	-	Yes (8 bits)	
VGA & Communication Ports			
VGA Resolution	800 x 600, 1024 x 768		
Dual Ethernet Ports	RJ-45 x 2, 10/100/1000M Base-TX		
USB 2.0	2		
COM0	Internal communication with the high profile I-87K series modules in slots		
COM1	RS-232 (RxD, TxD and GND); Non-isolation		
COM2	RS-485 (Data+, Data-);self-tuner ASIC inside; 3000 V _{DC} isolated		
COM3	-	RS-232/485 (RxD, TxD, CTS, RTS and GND for RS-232; Data+, Data- for RS-485); Non-isolation	
COM4	-	RS-232 (RXD, TXD, CTS, RTS, DSR, DTR, CD, RI and GND); Non-isolation	
I/O Expansion Slots	1	4	8
Mechanical			
Dimensions (W x L x H)	95 mm x 132 mm x 111 mm	231 mm x 132 mm x 111 mm	355 mm x 132 mm x 111 mm
Installation	DIN-Rail or Wall Mounting		
Environmental			
Operating Temperature	-25 ~ +75 °C		
Storage Temperature	-30 ~ +80 °C		
Ambient Relative Humidity	10 ~ 90% RH (non-condensing)		
Power			
Input Range	+10 ~ +30 V _{DC}		
Isolation	1 kV		
Redundant Power Inputs	Yes, with one power relay (1 A @ 24 V _{DC}) for alarm		
Capacity	1.0A, 5V supply to CPU and backplane, 0.6A, 5V supply to I/O expansion slots, total 8 W	1.1A, 5V supply to CPU and backplane, 4.9A, 5V supply to I/O expansion slots, total 30 W	1.2A, 5V supply to CPU and backplane, 4.8A, 5V supply to I/O expansion slots, total 30 W
Consumption	7.3 W (0.3 A @ 24 VDC)	9.1 W (0.38 A @ 24 VDC)	9.6 W (0.4 A @ 24 VDC)

Appearance

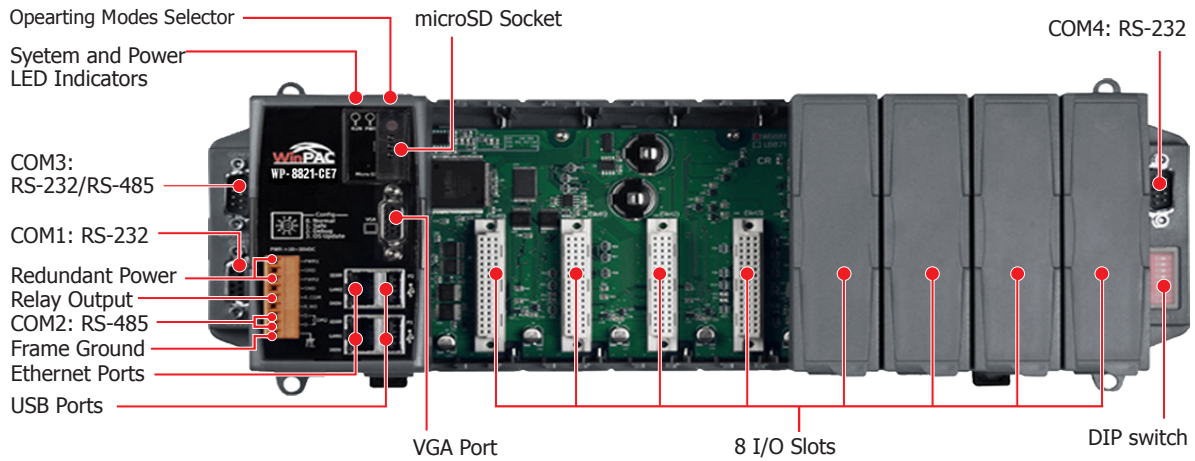
WP-8121-CE7



WP-8421-CE7



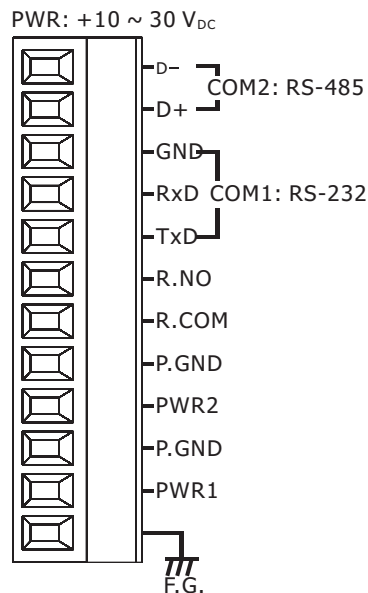
WP-8821-CE7



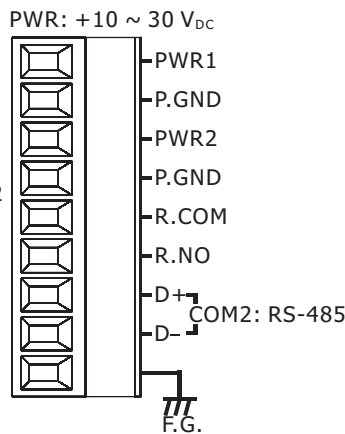
Pin Assignments

Terminal Block

WP-8121-CE7

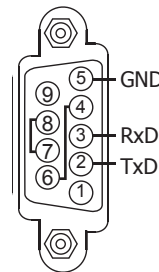


WP-8421-CE7/WP-8821-CE7

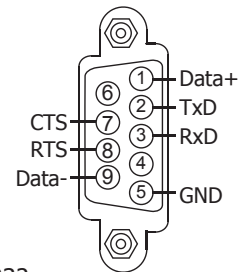


WP-8421-CE7/WP-8821-CE7 COM Port

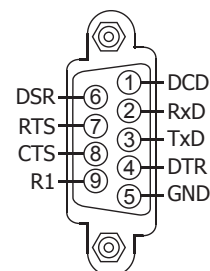
COM1: RS-232



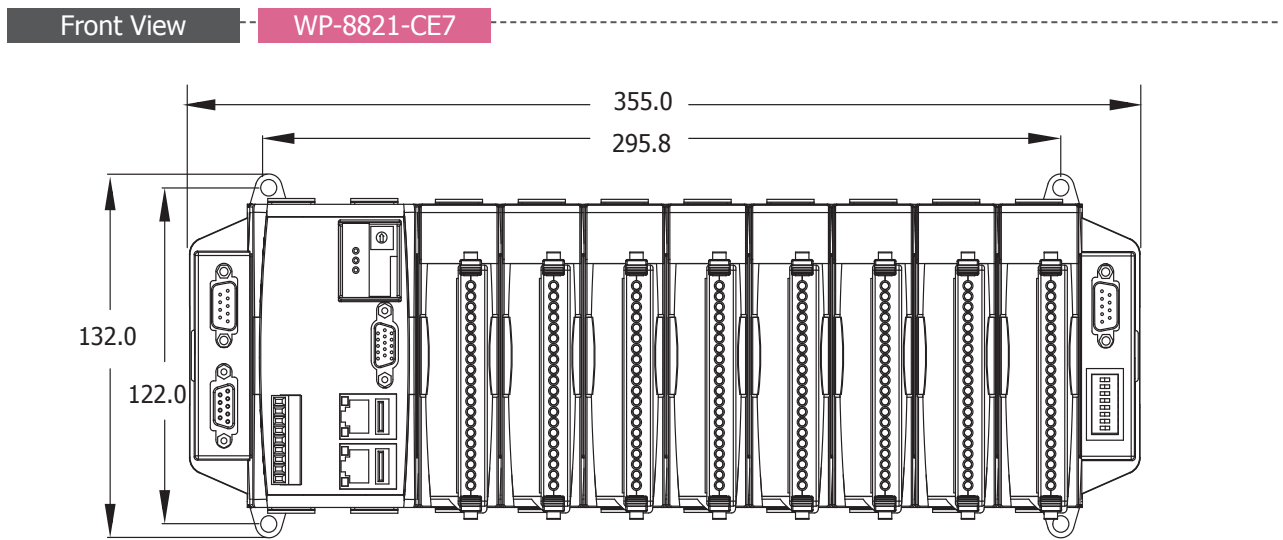
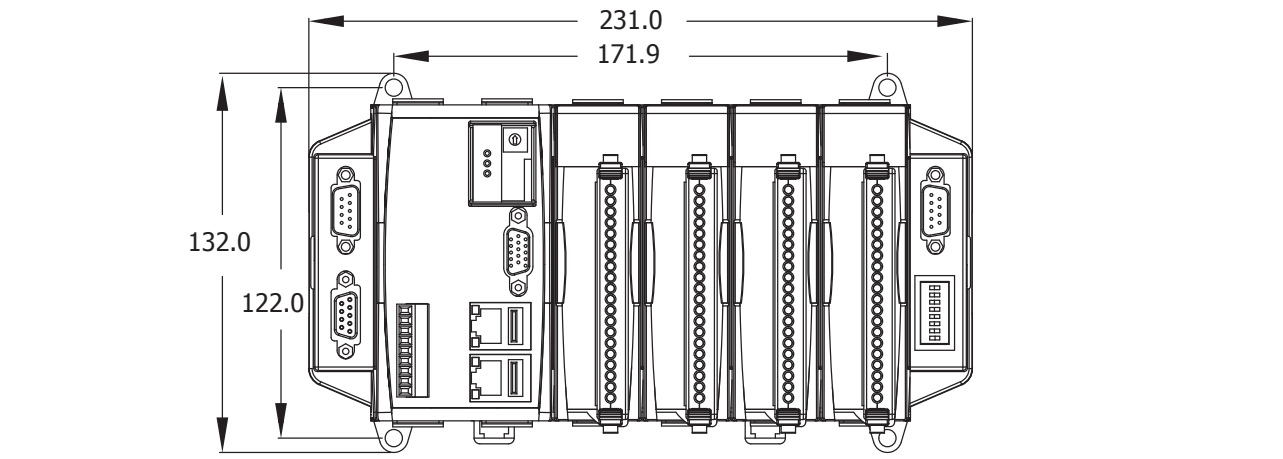
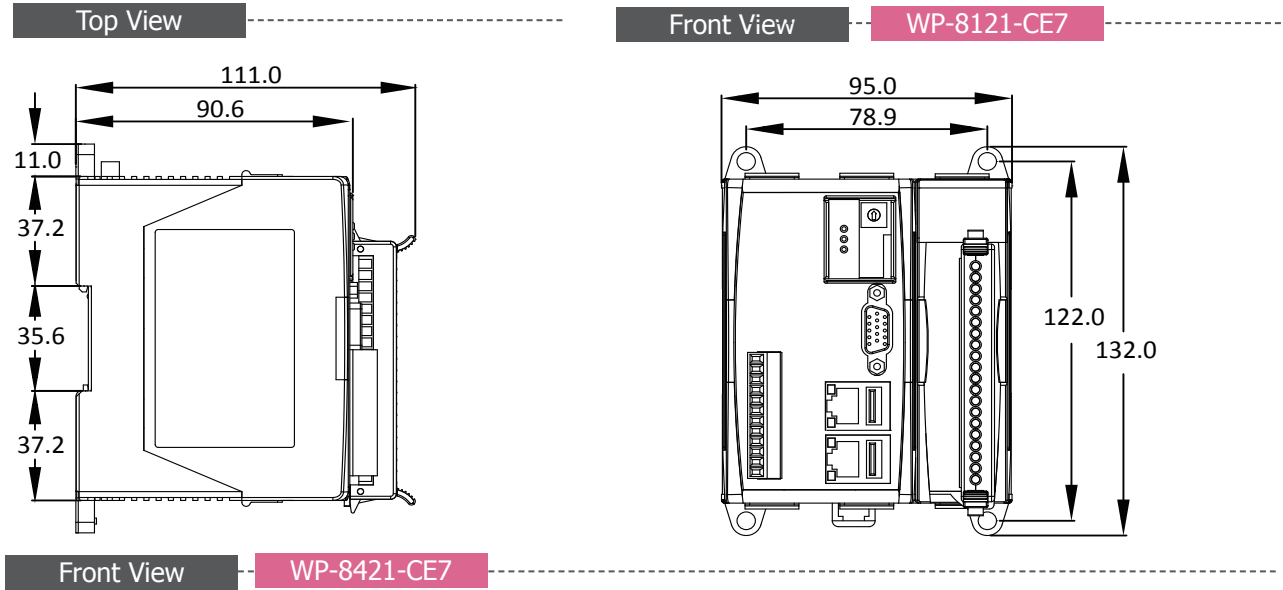
COM3: RS-232/RS-485



COM4: RS-232



Dimensions



Ordering Information

WP-8121-CE7	Standard WinPAC-8000-CE7 with 1 I/O Slot
WP-8421-CE7	Standard WinPAC-8000-CE7 with 4 I/O Slots
WP-8821-CE7	Standard WinPAC-8000-CE7 with 8 I/O Slots