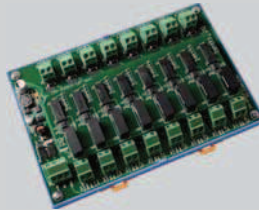


# 10.1. Voltage Attenuator

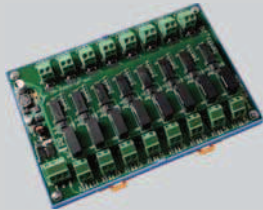
**NEW**



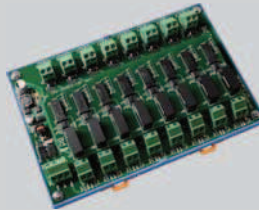
**DN-843V-600V**



**DN-848VI-10V**



**DN-848VI-80V**



**DN-848VI-150V**

## Features

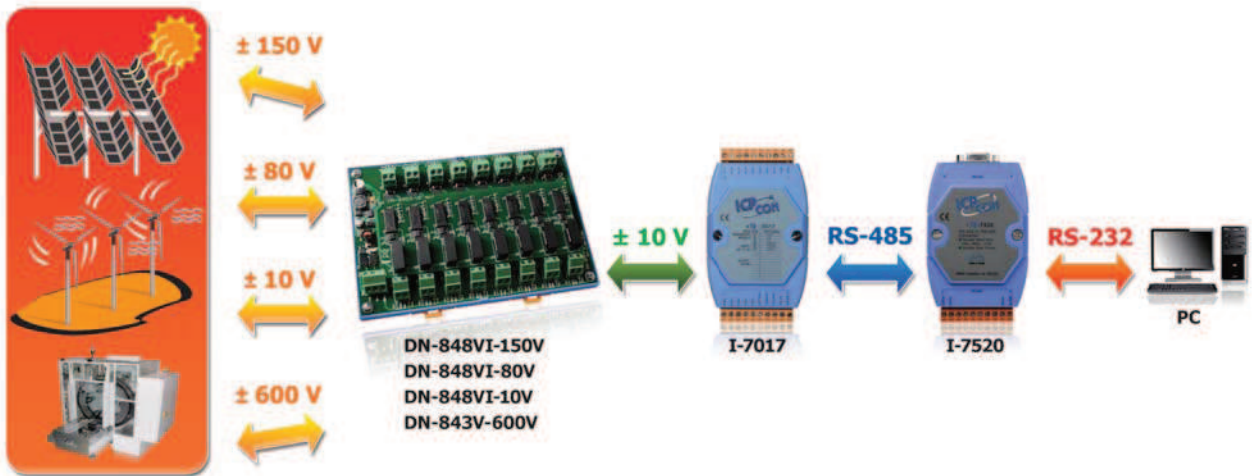
- AC/DC Source Input
- High Voltage Input Measurement
- Linear Attenuation Ratio
- High Input Impedance
- Channel to Channel Isolation for DN-848VI-10V, DN-848VI-80V and DN-848VI-150V
- 4 kV ESD Protection
- 3 kV Surge Protection
- RoHS Compliance
- Operating Temperature: -25 ~ +75°C
- Easily Wire Connection



## Introduction

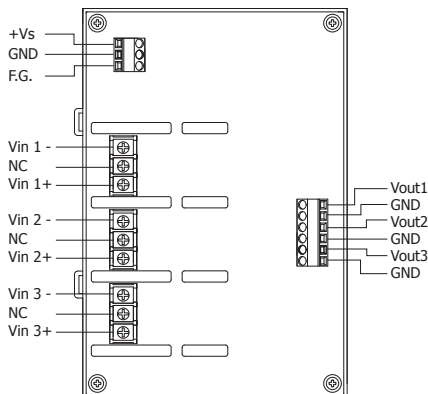
The DN-800V series are voltage input attenuator. The maximum input range is from  $\pm 80$  V to  $\pm 600$  V and can be attenuated to  $\pm 10$  V. The "I" version provide 3000 Vdc intra-modules isolation and 3000 Vdc channel to channel isolation to avoid the noise interference from inputs to outputs or channel to channel. It can be used with the analog input modules such as I-7017 and I-87017 etc. to measure the high voltage.

## Applications

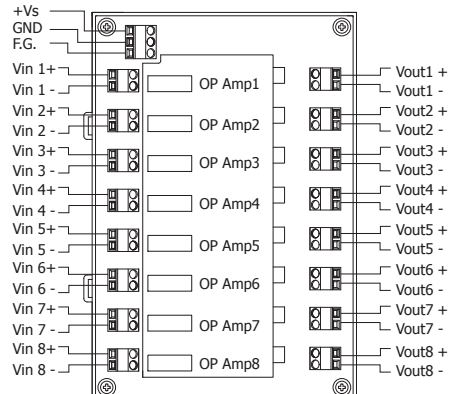


## Appearance

**DN-843V-600V**



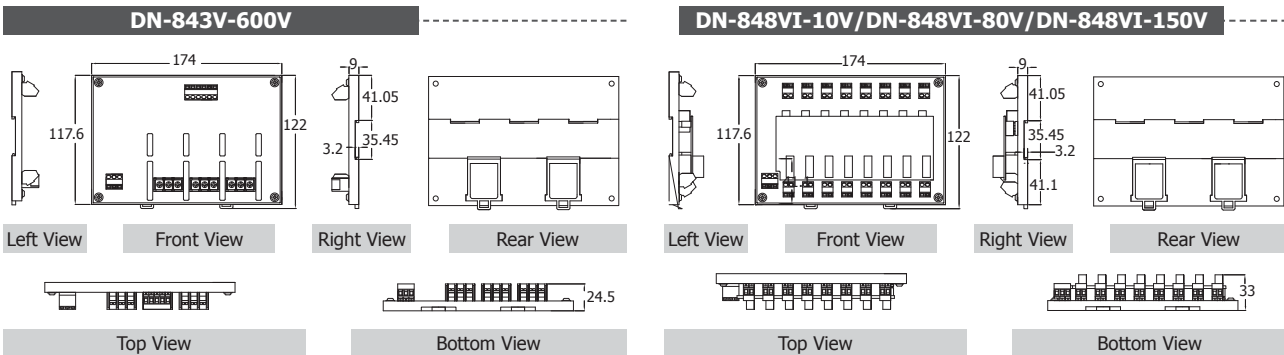
**DN-848VI-10V/DN-848VI-80V/DN-848VI-150V**



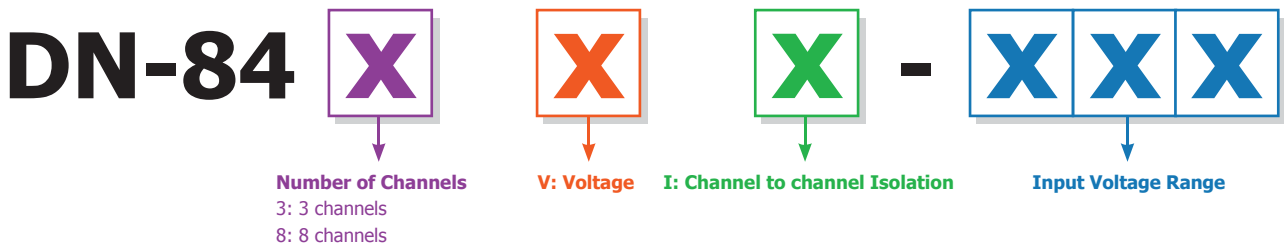
## Specifications

Models	DN-848VI-10V	DN-848VI-80V	DN-848VI-150V	DN-843V-600V
<b>General</b>				
Channels	8	8	8	3
Input Type	AC/DC Voltage			
Input Range	+/- 10 V <sub>pp</sub>	+/- 80 V <sub>pp</sub>	+/- 150 V <sub>pp</sub>	+/- 600 V <sub>pp</sub>
Output Range	+/- 10 V <sub>pp</sub>			
Accuracy	1% of FSR			
Chanel to Channel Isolation	Yes, 3000 V <sub>oc</sub>			-
Bandwidth	30 KHz			100 KHz
Input Impedance	> 1 MΩ			
Intra-module Isolation, Input to Output	3000 V <sub>oc</sub>			-
<b>EMS Protection</b>				
ESD (IEC 61000-4-2)	+/- 4 kV contact for power line, input and output channels , +/- 8 kV air for random point			
Surge (IEC 61000-4-5)	+/- 3 kV for power liner			
<b>Power Input</b>				
Input Range	+10 ~ +30 V <sub>oc</sub>			
Power Consumption	9.2 W	9.2 W	9.2 W	0.56 W
<b>Mechanical</b>				
Dimensions (W x L x H)	122 mm x 174 mm x 33 mm			122 mm x 174 mm x 24.5 mm
Installation	DIN-Rail Mounting			
<b>Environment</b>				
Operating Temperature	-25 ~ + 75°C			
Storage Temperature	-30 ~ +75°C			
Humidity	10 ~ 90% RH (non-condensing)			

## Dimensions (Units: mm)



## Selection Guide



## Ordering Information

<b>DN-848VI-10V CR</b>	8-channel 10 V Voltage Attenuator (RoHS)
<b>DN-848VI-80V CR</b>	8-channel 80 V Voltage Attenuator (RoHS)
<b>DN-848VI-150V CR</b>	8-channel 150 V Voltage Attenuator (RoHS)
<b>DN-843V-600V CR</b>	3-channel 600 V Voltage Attenuator (RoHS)

## Accessories

MDR-20-24 CR	24 V/1 A, 24 W Power Supply with DIN-Rail Mounting (RoHS)
I-7017-G CR	8-channel Analog Input Module (RoHS)
I-87017-G CR	8-channel Analog Input Module (RoHS)