

# VDM-700HD

720P High Resolution / 560 nits / 1000:1 Contract Ratio / Projected Capacitive Touch / DC 9~48V  
Front Panel IP65 / In-Vehicle Monitor

## Features

- Effortless One-Cable Connection
- 1280(H)×720(V) High Resolution
- High Brightness 560 Nits
- Secondary Video Input (HDMI)
- Projected Capacitive Multi-touch
- 9 ~ 48V DC Power Input
- Operating Temp.: -20 ~ 60°C
- Vehicle Regulation E13



## Introduction

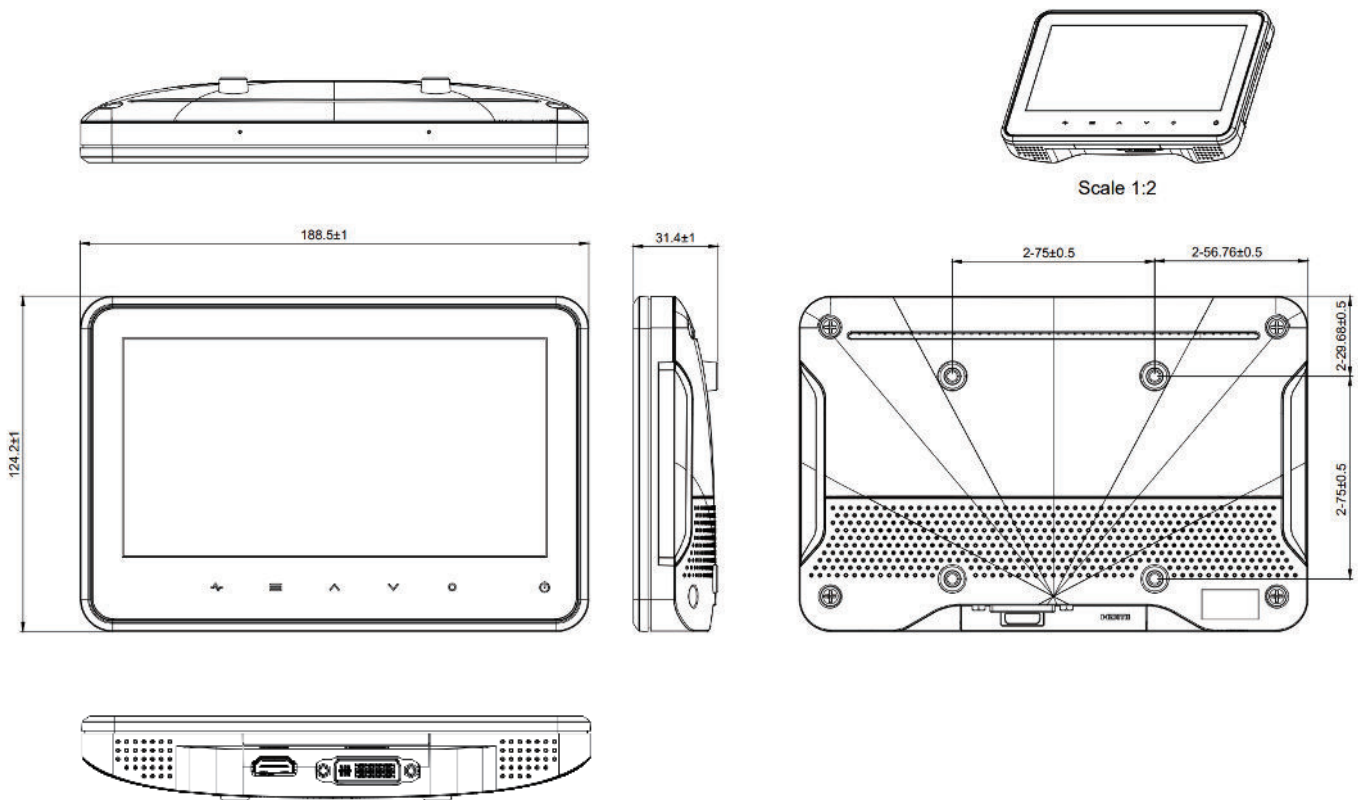
VDM-700HD is a touch monitor with a wide power input voltage range and operating temperature dedicated to In-Vehicle computing. An ideal operating terminal for fleet management and intelligent cockpit applications on commercial vehicles. The panel resolution of 1280 x 720 and typical brightness of 560 nits excel among other 7" monitors on the market. SINTRONES' proprietary cable design, which delivers video, audio, touch signal, and power in one cable connection, provides effortless deployment and installation.

## Specification

LCD	
Screen Size / Ratio	7 inches / 16:9
Resolution	1280 (H) × 720 (V) RGB
Active Area (mm)	156.48 (H) × 80.136 (V) mm
View Angle (H/V)	80 / 80 / 80 / 80 Degree
Brightness (nits)	560 nits (typical)
Contrast Ratio	1000:1 (typical)
Backlight Type	LED
Touch	
Type	Projected Capacitive with Multi-touch
I/O	
Multi-IO	1 x DVI-D 29 pins Connector for DVI-D Single Link Video, Touch (USB 2.0), Line in, MIC out, and DC 9~48V Power input * SINTRONES custom pin definition for SINTRONES optional cable only
Secondary Video Input	1 x HDMI
Function Key	6 x Touch Hotkeys
Audio	
Microphone	2 x Built-in Digital MIC
Speaker	Stereo Speaker with Built-in Amplifier

Mechanical	
Dimension	188.5 (L) x 124.2 (W) x 31.4 (H) mm
Mounting	VESA MIS-D 75 mm
Weight	510 g
IP Rating	(Front) IP65; (others) IP4X
Power Requirement	
Power Input	9V - 48V DC Power Input
Environmental	
Operating Temp.	-20°C ~ 60°C with 0.6 m/s airflow
Storage Temp.	-40 °C ~ 80 °C
Relative Humidity	10% RH – 90% RH (non-condensing)
Vibration	IEC60068-2-64, random, 2.5G@5~500Hz, 1hr/axis MIL-STD-810G, Method 514.6, Procedure I, Cat.4, Operating
Shock	Operating: MIL-STD-810G, Method 516.6, Procedure I, Trucks and semi-trailers=15G (11ms)
Certifications	CE, FCC Class A, E13

## Dimensions



## Ordering Information

Ordering Information	
Model Number	VDM-700HD
Description	16:9 7" 560nits In-Vehicle Monitor w/ P-CAP Multi-touch
State of Origin	Made in Taiwan

## Optional Accessories

Optional Accessories	
DVI - DVI Cable	DVI to DVI SINTRONES Custom Pin Define for VBOX-3630, VBOX-3122, VBOX-3131, SBOX-2622, SBOX-2602
DVI - 4 Ports Combo Cable	DVI to 4 Ports for VBOX-3611, VBOX-3121, VBOX-3130, SBOX-2621, SBOX-2601
DVI - 6 Ports Combo Cable	DVI to 6 Ports for ABOX-521(G), ABOX-5200(G), ABOX-5000