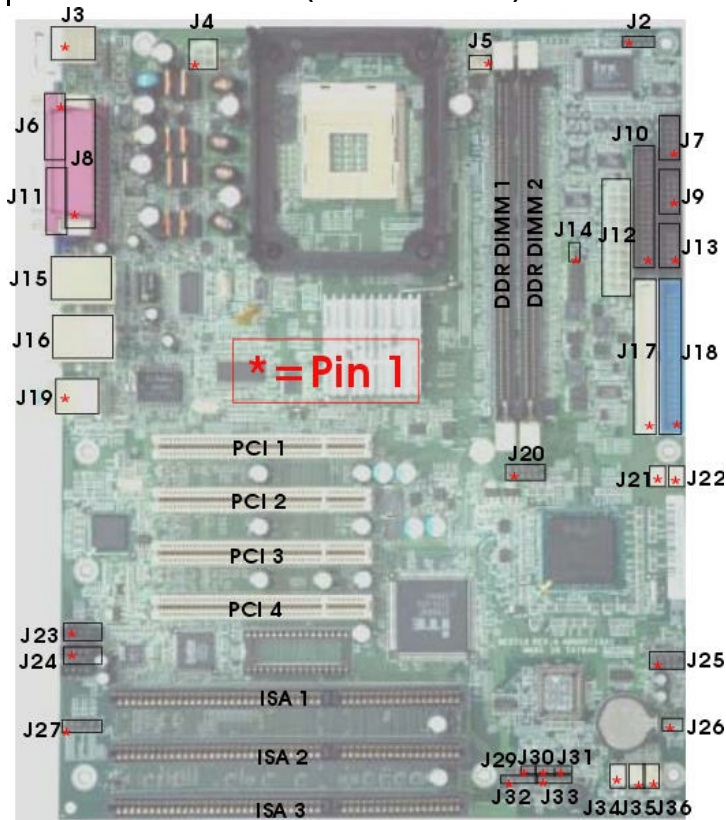




NEX716VL2G Quick Reference Guide

(P/N: 60177A0032)

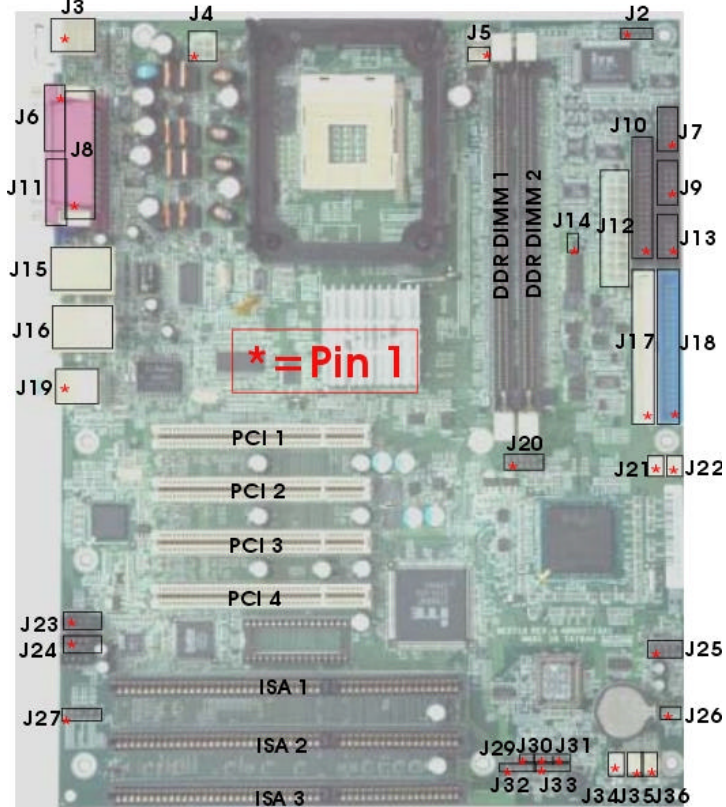


Function		Function	
J2	IrDA, 5 x 1 Pin Header	J19	Line in/Headphone out/MIC in
J3	PS2 Keyboard/Mouse	J20	GPIO Port 8 pin in/out
J4	ATX Power Connector 2x2pin, 12V input only	J21, J22	5V Power Header for Disk on Module, JST2.5mm 2 Pin
J5	CPU Fan Connector	J23	CD In, 4x1 Shrouded Header
J6	COM1, DSUB 9 Pin Connector	J24	Aux In, 4x1 Shrouded Header
J7	COM2, 5x2 Pin BoxHeader	J25	USB5/USB6, 5x2 Pin Header
J8	LPT1 (Parallel Port), DSUB 25 Pin Connector	J26	CMOS Setup Clear
J9	COM3, 17x2 Box Header	J27	Audio Front I/O Connector, 5x2 Pin Header
J10	FDD, 17x2 Box Header	J29	Reset Button, 2x1 Pin Header
J11	CRT out, HDS DSUB 15 Pin Connector	J30	ATX Power On Button, 2x1 Pin Header
J12	ATX Power Connector, 10x2 Pin	J31	CPU Type Select (P4 or P4M) 1-2 for P4M, 2-3 for P4 (default)
J13	COM4, 5x2 Pin Box Header	J32	System Speaker Out
J14	IDE Access LED Header	J33	System Power On LED, K/B Lock
J15	LAN1 + USB1/USB2	J34	SM-Bus Header
J16	LAN2 + USB3/USB4	J35	System Fan 1
J17, J18	IDE Channel 2, IDE Channel 1, 20x2 PinHeader	J36	System Fan 2



NEX716VL2G Quick Reference Guide

(P/N: 60177A0032)



Function		Function	
J2	IrDA, 5 x 1 Pin Header	J19	Line in/Headphone out/MIC in
J3	PS2 Keyboard/Mouse	J20	GPIO Port 8 pin in/out
J4	ATX Power Connector 2x2pin, 12V input only	J21, J22	5V Power Header for Disk on Module, JST2.5mm 2 Pin
J5	CPU Fan Connector	J23	CD In, 4x1 Shrouded Header
J6	COM1, DSUB 9 Pin Connector	J24	Aux In, 4x1 Shrouded Header
J7	COM2, 5x2 Pin BoxHeader	J25	USB5/USB6, 5x2 Pin Header
J8	LPT1 (Parallel Port), DSUB 25 Pin Connector	J26	CMOS Setup Clear
J9	COM3, 17x2 Box Header	J27	Audio Front I/O Connector, 5x2 Pin Header
J10	FDD, 17x2 Box Header	J29	Reset Button, 2x1 Pin Header
J11	CRT out, HDS DSUB 15 Pin Connector	J30	ATX Power On Button, 2x1 Pin Header
J12	ATX Power Connector, 10x2 Pin	J31	CPU Type Select (P4 or P4M) 1-2 for P4M, 2-3 for P4 (default)
J13	COM4, 5x2 Pin Box Header	J32	System Speaker Out
J14	IDE Access LED Header	J33	System Power On LED, K/B Lock
J15	LAN1 + USB1/USB2	J34	SM-Bus Header
J16	LAN2 + USB3/USB4	J35	System Fan 1
J17, J18	IDE Channel 2, IDE Channel 1, 20x2 PinHeader	J36	System Fan 2