

Packing List

In addition to this guide, the package includes the following items:



G-4510 Series



RS-232 Cable
(CA-0910)



Screwdriver



L-shaped side
fixing piece *2



M3 x 6L
screw *2

Technical Support

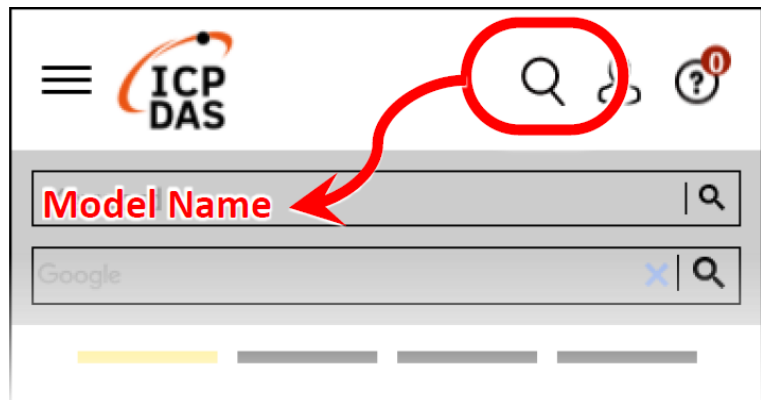
service@icpdas.com

www.icpdas.com

Resources

How to search for drivers, manuals and spec information on ICP DAS website.

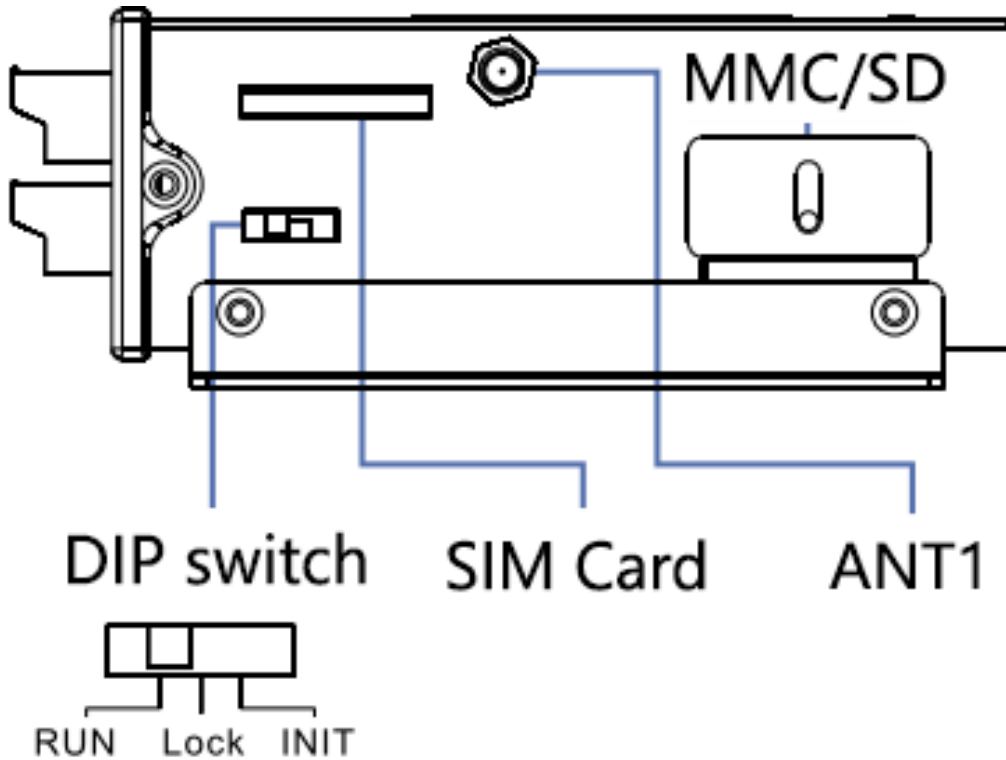
- For Mobile Web



- For Desktop Web



Operation Mode Switch



Operation Mode Switch	
RUN	OS can execute autoexec.bat
	Flash can be read/write.
Lock	OS can execute autoexec.bat
	Flash is read only (lock).
INIT	OS can not execute autoexec.bat
	Flash can be read/write.