

ARX605

6U, 5-Slot CompactPCI Portable

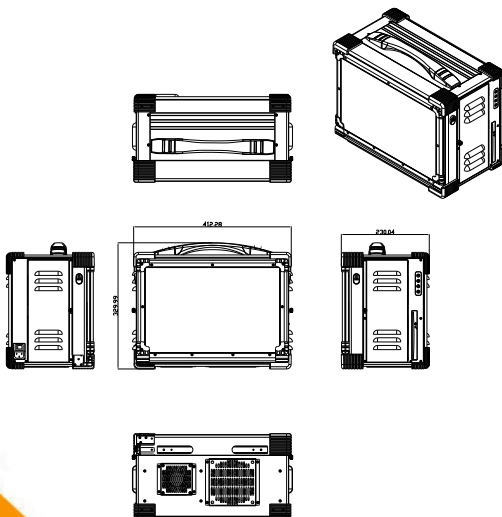


Features

- Design for Portable instrument applications
- 6U compactPCI and PICMG 2.5 H.110 CT Bus
- PICMG 2.1 Hot Swap compliant 32-bit or 64-bit 5-slot CompactPCI backplane with P3 & P5 rear I/O
- Built-in 15" LCD display with Touch Screen
- One system slot and 4 peripheral slots
- Aluminum Alloy Housing Design
- Integrated Keyboard and Touchpad
- 1U 400W power supply, 100~240VAC
- Built-in slim DVD-ROM device
- Carrying case to manage portable PC with ease

Mechanical/ Environmental

	Operating	Non-Operating
Temperature	0°C~45°C	-20°C~80°C
Humidity (40°C)	20%~90%	10%~95%
Shock	10G (TBD)	30G (TBD)
Vibration	1.0 Grms	2.0 Grms
Approval	CE, FCC, RoHS	



Specification

Model No	ARX605
Backplane	5-slot 64-bit/ 66 MHz 6U cPCI CT bus backplane PICMG 2.5 H. 110CT bus
cPCI Standards	2.0 R3.0, 2.1 R2.0, 2.5 R1.0
Form Factor	6U CompactPCI
Accessible Slots	1 system slot & 4 Peripheral slots
Rear I/O	P3 & P5 rear I/O
LCD display	15", 1024x 768 LCD display with touch screen
Drive bay	Slim DVD-ROM
KB/MS	Integrated keyboard and Touchpad, RJ45 Connector
Construction	Aluminum Construction with rubber corners
Power Supply	1U, 400W, 100~240VAC, Auto switch
Dimension	412Wx 330Hx 230D mm
Weight	12 kgs
Carrying Case	Padded carrying case with wheels

Ordering Information

ARX605

15" LCD with Touch screen, 5-slot 6U CompactPCI Portable Computer
Slim DVD-ROM, Carrying Case