



Features

- On the fly processing: EtherCAT
- Powerful MCU handles efficient network traffic
- 2 x RJ-45 bus interface
- Distance between stations up to 100 m (100 BASE-TX)
- Support daisy chain connection
- EtherCAT conformance test tool verified
- Removable terminal block connector
- LED indicators for the I/O status
- Built-In Inputs and Outputs: 8 DI and 8 DO
- RoHS compliant
- ESD Protection 4 kV Contact for each channel



Introduction

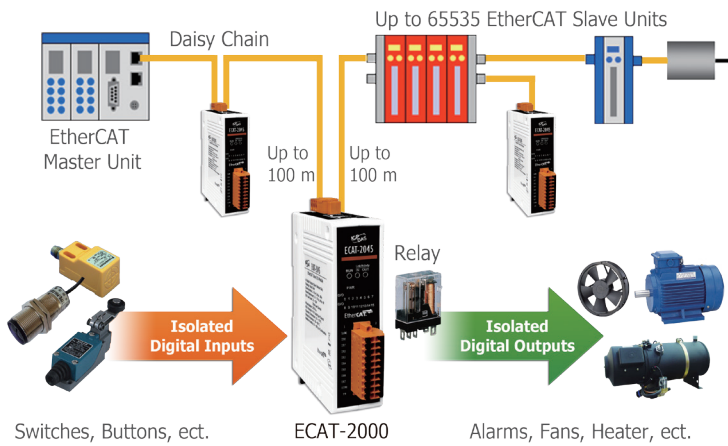
The ECAT-2055 is an industrial slave I/O module built in 8 digital inputs and 8 digital outputs. It is equipped with the EtherCAT* protocol and installed by daisy chain connection that provides a more scalable system with fewer wires. Users can obtain the input and output status not only via the process data but also from its LED indicators. The ECAT-2055 has passed and verified by the conformance test tool, therefore eligible EtherCAT Master or configurator can manipulate it simply and implement your various applications easily.

* EtherCAT® is registered trademark and patented technology, licensed by Beckhoff Automation GmbH, Germany.

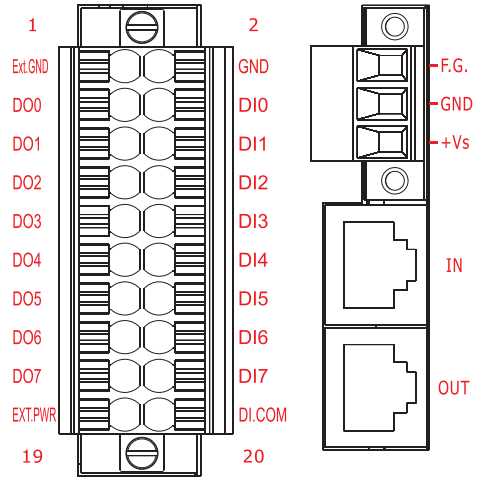
Hardware Specifications

Model	ECAT-2052	ECAT-2052-NPN	ECAT-2055
Digital Input			
Channels	8		
Input Type	Wet (Sink/Source)		Wet (Sink/Source) / Dry (Source)
Wet Contact	ON Voltage Level	+10 V ~ +50 V	+3.5 V ~ +50 V
	OFF Voltage Level	+4 V Max.	+2 V Max.
Dry Contact	ON Voltage Level	Close to GND	-
	OFF Voltage Level	Open	-
Photo-Isolation	3750 Vdc		
Digital Output			
Channels	8		
Output Type	Open Source (Source)	Open Collector (Sink)	Open Collector (Sink)
Load Voltage	+3.5 ~ 50 V	+3.5 ~ 50 V	+3.5 ~ 50 V
Max. Load Current	100 mA per channel	100 mA per channel	700 mA per channel
Isolation Voltage	3750 Vrms		
Communication Interface			
Connector	2 x RJ-45		
Protocol	EtherCAT		
Distance between Stations	Max. 100 m (100 BASE-TX)		
Data Transfer Medium	Ethernet/EtherCAT Cable (Min. CAT 5), Shielded		
EMS Protection			
ESD (IEC 61000-4-2)	±4 kV Contact for Each Terminal		
EFT (IEC 61000-4-4)	Signal: 1 KV Class A; Power: 1 KV Class A		
Surge (IEC 61000-4-5)	1 KV Class A		
Power			
Input Voltage Range	10 V ~ 30 VDC		
Power Consumption	4 W Max.		
Mechanical			
Dimensions (H x W x D)	110 mm x 90 mm x 33 mm		
Installation	DIN-Rail Mounting		
Case Material	UL 94V-0 Housing		
Environment			
Operating Temperature	-25 ~ +75°C		
Storage Temperature	-30 ~ +80°C		
Relative Humidity	10 ~ 90% RH, Non-condensing		

Applications



Pin Assignments



Wire Connections

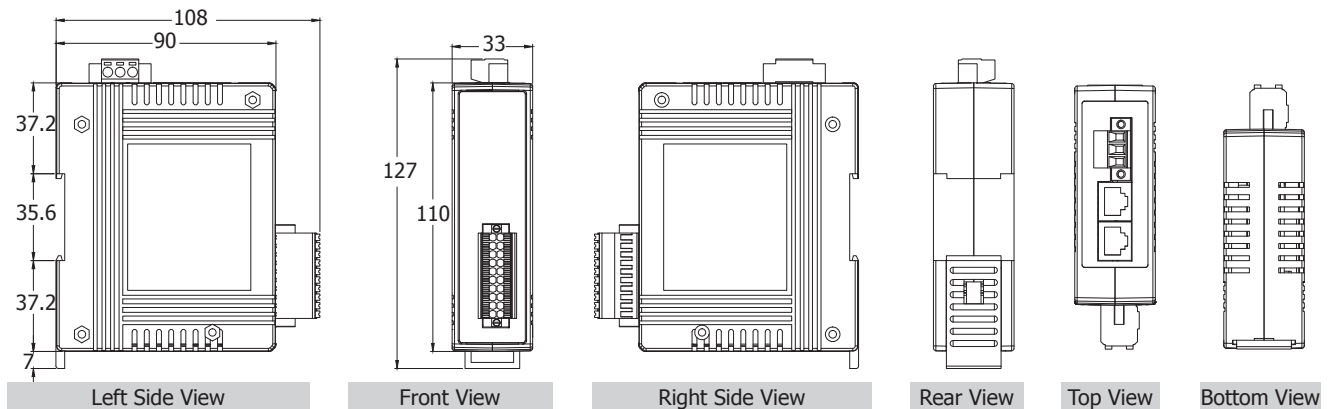
ECAT-2052 / ECAT-2052-NPN / ECAT-2055		
Digital Input /Counter	Readback as 1	Readback as 0
Sink	+10 ~ +50 Vdc 	OPEN or <4 Vdc
	Source	+10 ~ +50 Vdc

ECAT-2055		
Digital Input /Counter	Readback as 1	Readback as 0
Dry	Close to GND 	Open

ECAT-2052-NPN / ECAT-2055		
Output Type	ON State Readback as 1	OFF State Readback as 0
Drive Relay		
Resistance Load		

ECAT-2052		
Output Type	ON State Readback as 1	OFF State Readback as 0
Inductive Load		
Resistance Load		

Dimensions (Units: mm)



Ordering Information

ECAT-2052 CR	EtherCAT Slave I/O Module with Isolated 8-ch DO and 8-ch DI (RoHS)
ECAT-2052-NPN CR	EtherCAT Slave I/O Module with Isolated 8-ch DO and 8-ch DI (RoHS)
ECAT-2055 CR	EtherCAT Slave I/O Module with Isolated 8-ch DO and 8-ch DI (RoHS)

ECAT-2052/ECAT-2052-NPN/ECAT-2055