

DRPC-130-AL

■ Fanless DIN-Rail Embedded System

■ Intel® Atom™ x5-E3930 1.3GHz (up to 1.8 GHz) Solution

New



Features

- Intel® Atom™ x5-E3930 1.3GHz (up to 1.8 GHz)
- DDR3L 1.35V SO-DIMM supported
- Serial, CAN bus and digital I/O interface

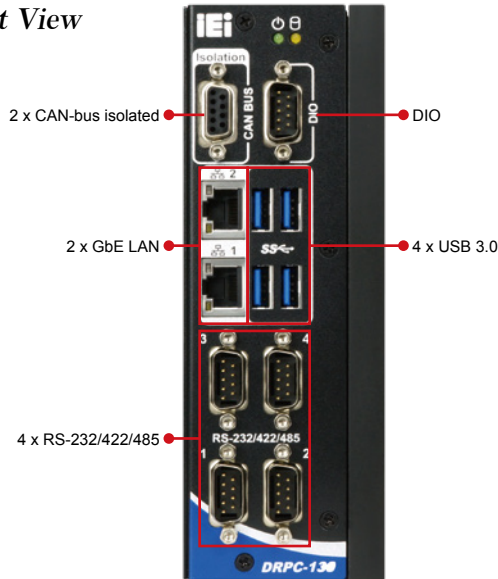


Specifications

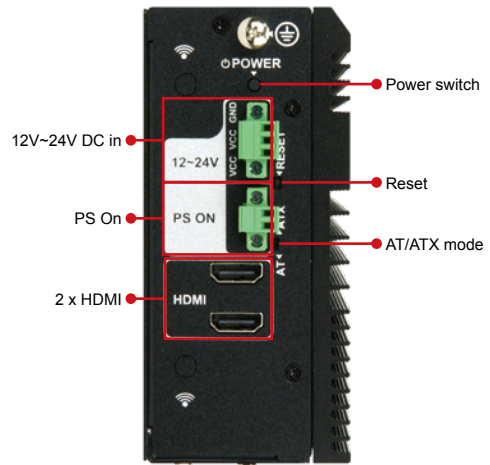
| Model Name | | DRPC-130-AL | |
|----------------|-----------------------|--|--|
| Chassis | Color | Black | |
| | Dimensions (WxDxH) | 58.75 x 130 x 174 | |
| | System Fan | Fanless | |
| | Chassis Construction | Extruded aluminum alloy | |
| Motherboard | CPU | Intel® Atom™ x5-E3930 1.3GHz (up to 1.8 GHz, dual core, TDP=6.5W) | |
| | Chipset | SoC | |
| | System Memory | 1x 204-pin DDR3L SO-DIMM slot (system max. 8 GB) (DRPC-130-AL-E1/4GB SKU is pre-installed with 4 GB memory) | |
| Storage | Hard Drive | 1 x 2.5" SATA 6Gb/s HDD/SSD bay | |
| | eMMC | 1 x eMMC 5.0 support (up to 32GB, optional) | |
| I/O Interfaces | USB 3.0 | 4 | |
| | USB 2.0 | 1 by pin header | |
| | Ethernet | 2 x RJ-45 PCIe GbE by Intel® I211 controller | |
| | COM Port | 4 x RS-232/422/485 (DB-9) | |
| | Digital I/O | 8-bit digital I/O, 4-bit input/4-bit output (DB-9) | |
| | CAN Bus | 1 x DB-9 w/ 2.5kV Isolation protection, supporting 2-port CAN-bus | |
| | Display | 2 x HDMI 1.4b | |
| | Resolution | Up to 3840 x 2160@30Hz | |
| | SIM | 1 x Internal on-board SIM slot (optional) | |
| | Wireless | 1 x 802.11a/b/g/n/ac (optional) | |
| | TPM | 1 x TPM 2.0 (2x10 pin) (optional) | |
| | Others | 1 x Power Button 1 x Reset Button 1 x AT/ATX Switch | 1 x LED for HDD (Yellow) 1 x LED for Power (Green) |
| | Expansions | PCIe Mini | 1 x Half-size PCIe Mini slot 1 x Full-size PCIe Mini slot (supports mSATA, colay with SATA) |
| | | Power Input | 3-pin terminal block: 12 V ~ 24 V DC |
| Power | Remote PWR | PSON 2-pin terminal block | |
| | Power Consumption | 12V @ 2.88 A (Intel® Atom™ x5-E3930 CPU with 4GB 1600 MHz DDR3L memory) | |
| | Mounting | DIN-rail / Wall mounting | |
| Reliability | Operating Temperature | -20°C ~ 60°C with air flow (SSD), 10% ~ 95%, non-condensing | |
| | Storage Temperature | -40°C ~ 85°C with air flow (SSD), 10% ~ 90%, non-condensing | |
| | Operating Shock | Half-sine wave shock 5G, 11ms, 100 shocks per axis, IEC68-2-27 | |
| | Operation Vibration | MIL-STD-810G 514.6C-1 (SSD) | |
| | Weight (Net/Gross) | 1.4Kg/2.5Kg | |
| | Safety / EMC | CE/FCC | |
| | Watchdog Timer | Programmable 1~255 sec/min | |
| | IP Level | IP40 | |
| | OS | Supported OS | Microsoft® Windows 10 / Linux |

Fully Integrated I/O

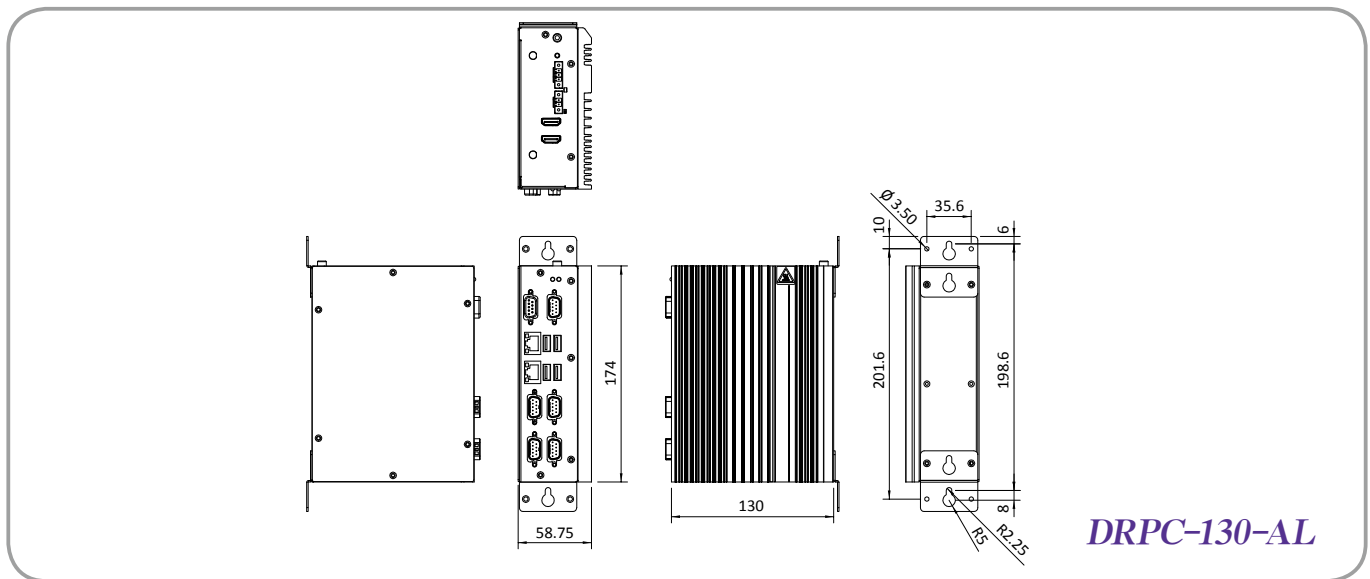
Front View



Top View



Dimensions (Unit: mm)



DRPC-130-AL

Ordering Information

| Part No. | Description |
|------------------------|---|
| DRPC-130-AL-E1-R10 | Fanless embedded system, Intel®Apollo Lake x5-E3930 1.3GHz (up to 1.8GHz, dual core), two HDMI, 8 CH DIO, CAN-Bus, COM, 12~24V DC and RoHS |
| DRPC-130-AL-E1/4GB-R10 | Fanless embedded system, Intel®Apollo Lake x5-E3930 1.3GHz (up to 1.8GHz, dual core), 4GB DDR3L pre-installed memory, two HDMI, 8 CH DIO, 12V ~ 24V DC and RoHS |

Options

| Item | Part No. | Description |
|------------------------|-----------------------|--|
| Adapter | 63040-010060-120-RS | Adapter Power; FSP; FSP060-DIBAN2; 9NA0605308; Vin: 90~264VAC; 60W; Dim: 62.0 x 110 x 31.5mm; Plug=7.5mm; Cable=1200mm; Erp(NO LOAD 0.21W); Vout: 12VDC; Φ2.5/Φ5.5/lock; CCL; RoHS |
| Power Cable | 32102-026500-100-RS | Power cable 200mm, (A) DC jack to (B) 3-pin terminal block P=3.5 |
| Power Cord | 32702-000200-100-RS | POWER CORD; EUROPEAN CODE(VDE); 2; 1830MM; (A)PLUG:SH-005(16A 250V); (B)CONNECTOR:C13(SH-006,10A250V); Self-Man; CCL; RoHS |
| Wireless Kit | EMB-WIFI-KIT01-R20 | 1T1R Wi-Fi module kit for embedded system, IEEE802.11a/b/g/n/ac Wi-Fi with Bluetooth 4.0/3.0+HS, 1 x Wi-Fi module, 2 x 250mm RF cable, 2 x Antenna, RoHS |
| TPM Module | TPM-IN02-R20 | 20-pin Infineon TPM2.0 module, software mangement tool, firmware v5.5 |
| DIN-Rail Mounting Kit | DK-DRPC-R10 | Rugged DIN-rail mounting kit for DPRC series only |
| OS:Windows Embedded 10 | DRPC-130-W10E64-E-R10 | OS Image with Windows® 10 IoT Enterprise Entry 64-bit for DRPC-130-AL Series, with DVD-ROM, RoHS |

Packing List

| | |
|-----------------------|---------------|
| 1x Wall mount bracket | 1 x Screw kit |
|-----------------------|---------------|