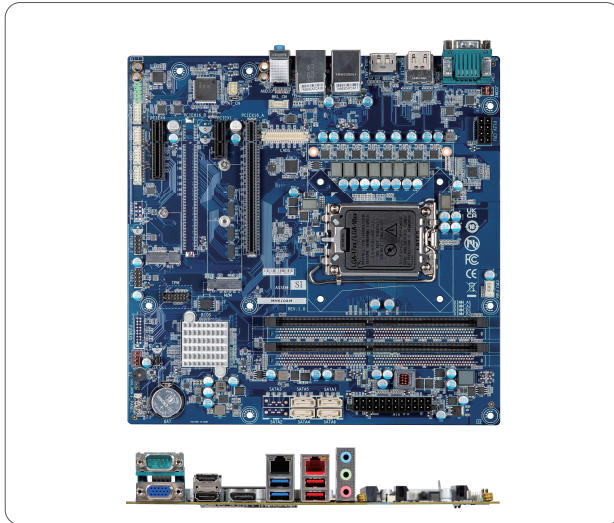


uATX-H610A (MH610AM)

Micro-ATX with Intel® H610 Chipset, support 13th/12th Generation Intel® Core™ Processors, Dual channel DDR4 memory, PCIe, 4 x COM, 8 x USB, 4 x SATA 6Gb/s



Features

- Micro ATX form factor
- Support 13th/12th Generation Intel® Core™ Processors
- Intel® H610 Chipset
- Dual Channel DDR4, 2 x DIMMs
- 1 x GbE LAN Port
- 1 x 2.5GbE LAN Port
- 4 x SATA 6Gb/s Ports
- Up to 3 x PCIe expansion slots
- 8 x USB Ports
- 1 x COM Port (RS-232/422/485 & RI/5V/12V)
- 3 x COM Ports (RS-232)

Specifications

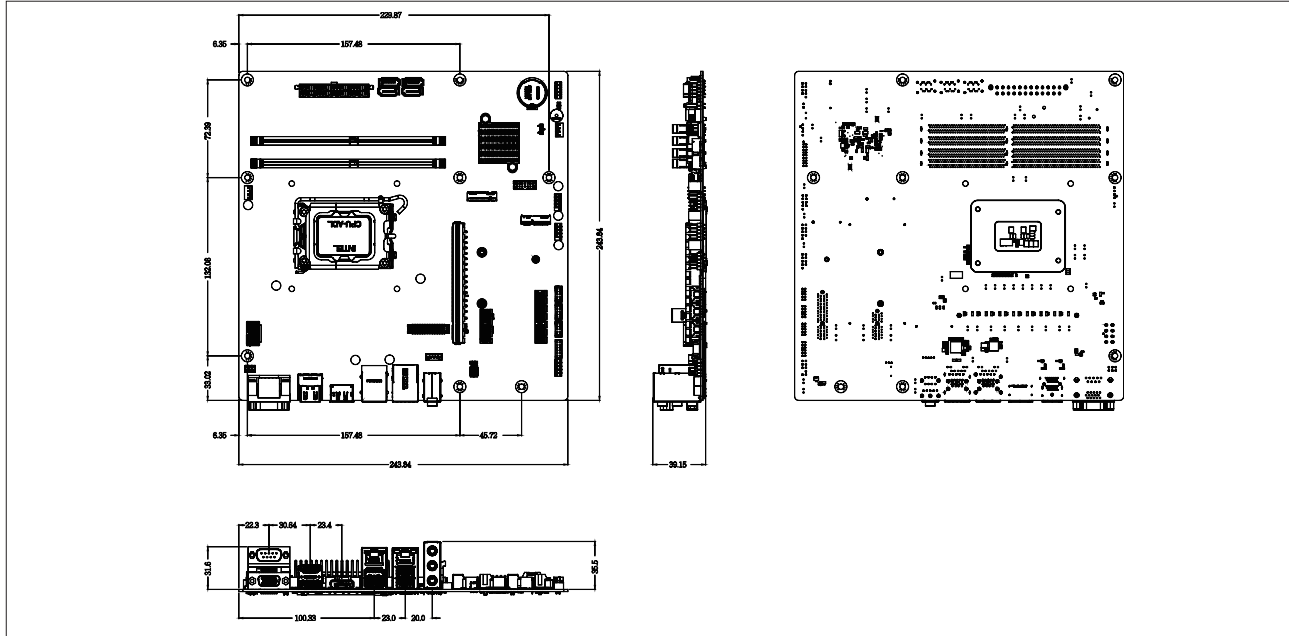
| | |
|-----------------|---|
| Form Factor | Micro ATX 244W x 244D (mm) |
| CPU | Support for 13th/12th Generation Intel® Core™ i9/i7/i5/i3, Pentium® & Celeron® processors in the LGA1700 package TDP under 125W |
| Socket | 1 x LGA 1700 |
| Chipset | Intel® H610 Chipset |
| Memory | 2 x DDR4 DIMM sockets, Max. Capacity 64 GB, Support Dual channel DDR4 3200 MHz memory modules |
| Ethernet | 1 x GbE LAN Port (Intel® I219V) 1 x 2.5GbE LAN Port (Intel® I226V) |
| Video | Integrated Graphics Processor – depends on CPU: 2 x HDMI 2.0 port, supporting a maximum resolution of 4096x2160 @60Hz 1 x DP port, supporting a maximum resolution of 4096x2160 @60Hz 1 x D-sub port, supporting a maximum resolution of 1920x1080 @60Hz 1 x LVDS port, supporting a maximum resolution of 1920x1200 @60Hz (3 independent display outputs) |
| Audio | Realtek® Audio Codec |
| Storage | 4 x SATA 6Gb/s Ports |
| Expansion Slots | 1 x PCIe x16 (Gen 4x16) 1 x PCIe x1 (Gen 3x1) 1 x PCIe x4 (Gen 3x4) 1 x 2280/2242 M.2 M-Key (SATA 6Gb/s) 1 x 2230 M.2 E-Key |

| | |
|----------------------|--|
| Internal I/O | 1 x 24-pin ATX main power connector 1 x 8-pin ATX 12V power connector 1 x CPU fan header 1 x System fan header 1 x Front panel header 1 x Front panel audio header 1 x Case open header 4 x USB 2.0 headers 3 x COM headers (RS-232) 1 x GPIO (8 bits) & SMBus header 1 x Backlight Control header 1 x Clear CMOS jumper 1 x Buzzer 1 x AT/ATX mode select jumper |
| Rear I/O | 3 x Audio Jacks (Line in, Line out, Mic in) 2 x HDMI 1 x DisplayPort 1 x VGA 1 x COM Port (RS-232/422/485 & RI/5V/12V) 2 x RJ45 LAN Ports 2 x USB 3.2 Gen 2x1 2 x USB 3.2 Gen 1 |
| TPM | 1 x TPM header |
| OS Compatibility | Windows 10/11 (x64) |
| Operating Properties | Operating temperature: 0°C to 60°C Operating humidity: 0-90% (non-condensing) Non-operating temperature: -40°C to 85°C Non-operating humidity: 0%-95% (non-condensing) |
| Packing Content | Carton size: 360 x 354 x 390 (mm) Packing Capacity: 5pcs Single Box size: 350 x 330 x 65 (mm) Including: IO Shield x 1 (P/N: 12AIO-MQ67EA-00R) SATA Cable x 2 (P/N: 12CF1-2SAT1B-01R) |
| Order Information | 9MH610AMMR-SI (Box packing) |

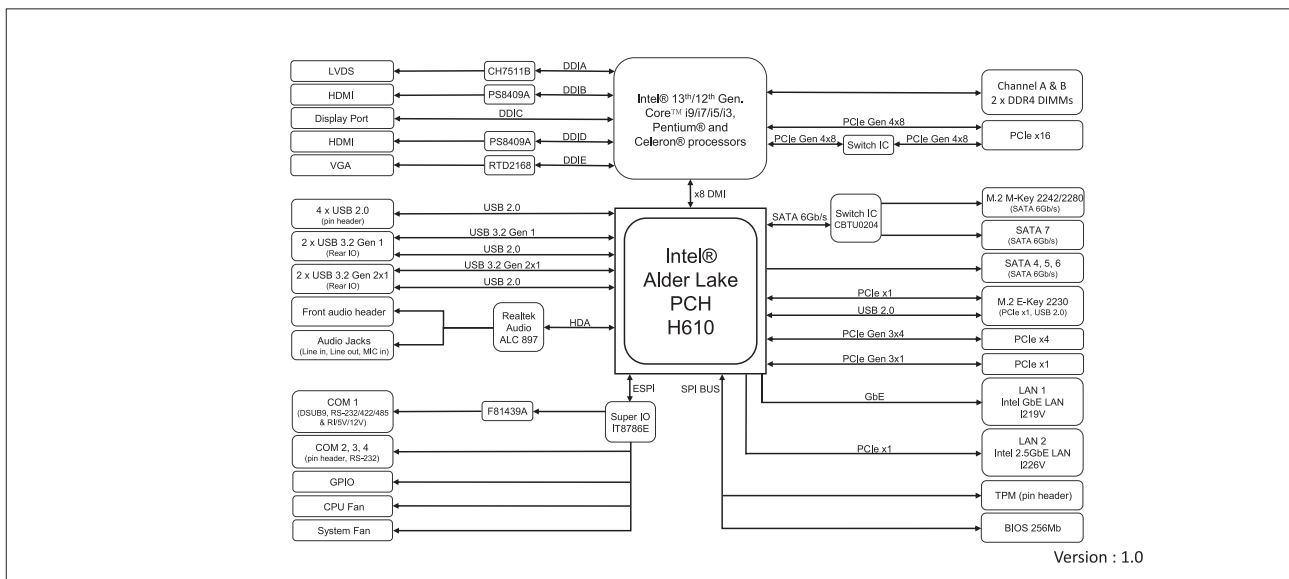
GIGAIPC reserves the right to modify or change technical data without prior notice.

Dimension (Unit: mm)

2023/04/28



Block Diagram



Optional Kit

| Part No. | Description | Quantity |
|------------------|---|----------|
| 12SF1-SK1700-01R | CPU Cooler for CPU TDP 125W (Push-pin type) | 1 |
| 25ST0-037820-Y0R | CPU Cooler for CPU TDP 65W | 1 |
| 12KRH-0A1700-00R | CPU Cooler Backplate, (Used with P/N: 25ST0-037820-Y0R) | 1 |
| 9CTM010NR-00 | TPM 2.0 module | 1 |
| 12SP2-090027-00R | VR Heatsink (Suggest to be used if CPU real power is over 100W) | 1 |

GIGAIPC reserves the right to modify or change technical data without prior notice.