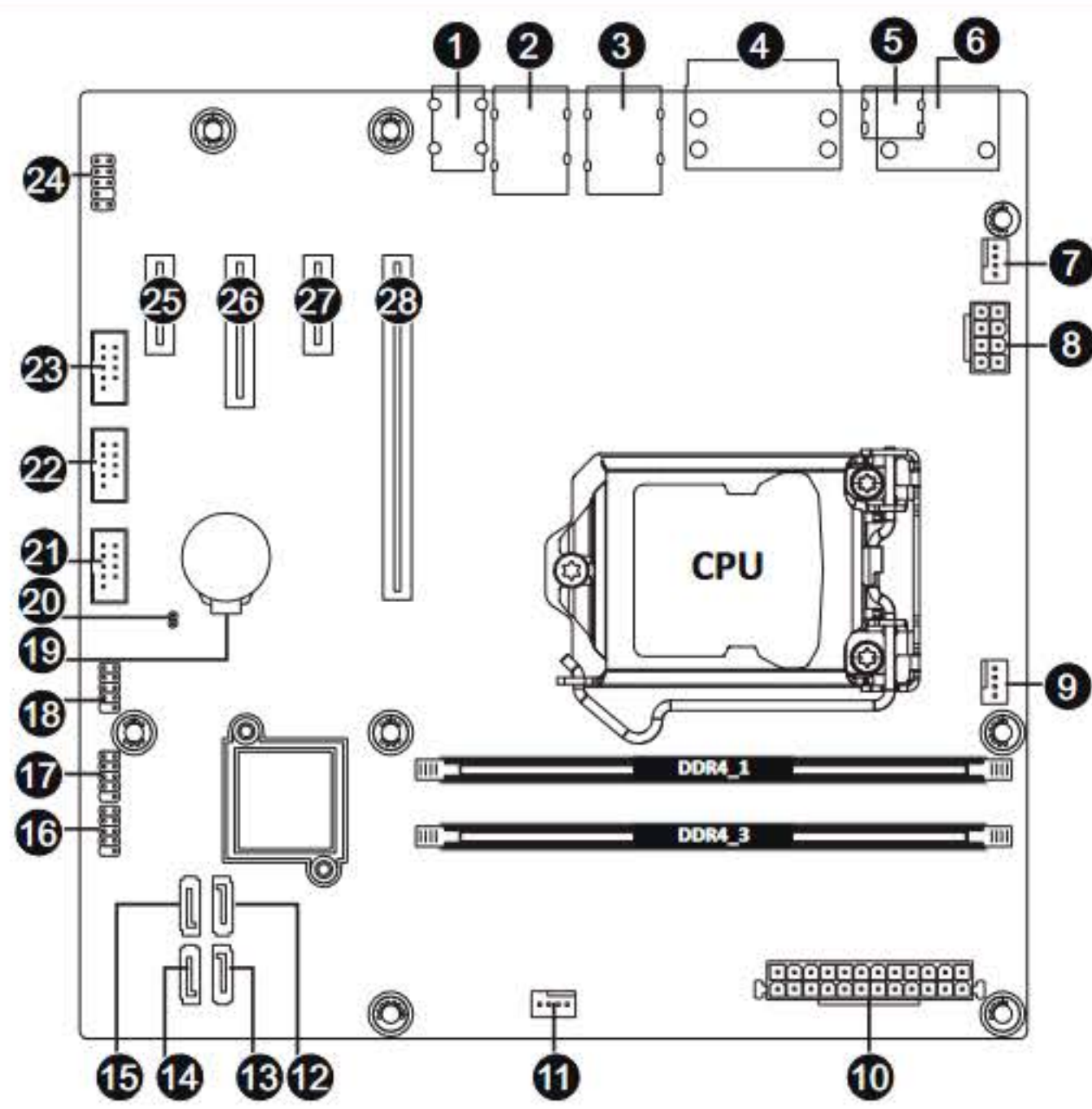
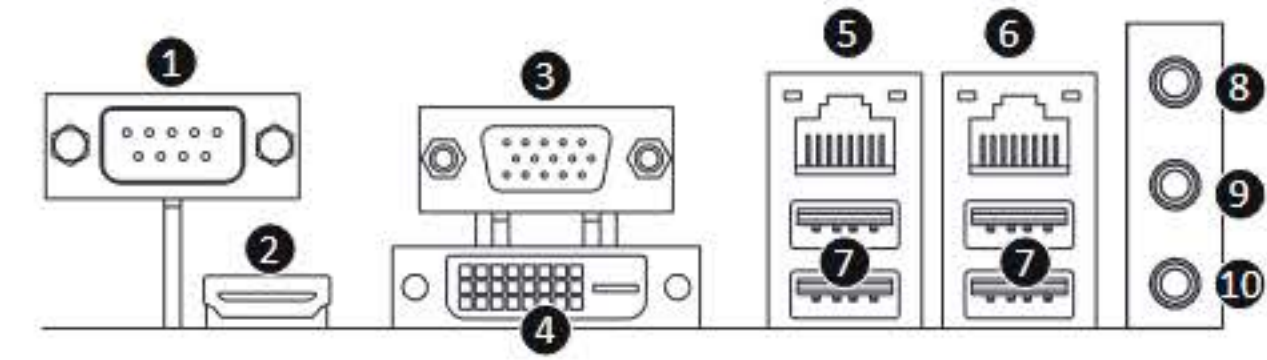


MCH31AM Quick Reference Guide/ 快速测试参考指南



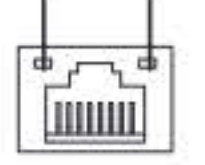
No.	Code	Description
1	AUDIO	Audio connectors
2	USB31_LAN2	GbE LAN port #2 (top) / USB 3.0 ports (bottom)
3	USB31_LAN1	GbE LAN port #1 (top) / USB 3.0 ports (bottom)
4	VGA_DVI	VGA port (top)/DVI-D port (bottom)
5	HDMI	HDMI 1.4 port
6	COM1	Serial port
7	SYS_FAN1	System fan connector #1
8	ATX_12V	8 pin power connector (for CPU)
9	CPU_FAN	CPU fan connector
10	ATX	24 pin main power connector
11	SYS_FAN2	System fan connector#2
12	SATA0	SATA 3 6Gb/s connector #0
13	SATA1	SATA 3 6Gb/s connector #1
14	SATA3	SATA 3 6Gb/s connector #3
15	SATA2	SATA 3 6Gb/s connector #2
16	F_PANEL	Front panel header
17	FUSB2_2	USB 2.0 connector #2
18	FUSB2_1	USB 2.0 connector #1
19	BAT	Battery socket
20	CLR_CMOS	Clear CMOS jumper
21	COM4	Serial port cable connector #4
22	COM3	Serial port cable connector #3
23	COM2	Serial port cable connector #2
24	FP_AUDIO	Front audio connector
25	PCIEX1_2	PCI Express x1 slot (PCIe x1 Signal)
26	PCIEX4	PCI Express x4 slot (PCIe x2 Signal)
27	PCIEX1_1	PCI Express x1 slot (PCIe x1 Signal)
28	PCIEX6	PCI Express x16 slot (PCIe x16 Signal)

Rear I/O Connector/ 后面板接口



No.	Description	No.	Description
1	Serial Port	7	USB 3.0 Port
2	HDMI 1.4 Port	8	Line In
3	VGA Port	9	Line Out
4	DVI-D Port	10	Mic In
5	GbE Ethernet LAN Port #1		
6	GbE Ethernet LAN Port #2		

Speed LED Link/Activity LED



5 6 10/100/1000 LAN LED:

State	Description
Yellow On	1Gbps data rate
Green On	100Mbps data rate
Off	10Mbps data rate



The HDMI connector is HDCP compliant and supports Dolby True HD and DTS HD Master Audio formats. It also supports up to 192KHz/24bit 8-channel LPCM audio output. You can use this port to connect your HDMI-supported monitor. The maximum supported resolution is 4096x2160@24Hz or 2560x1600@60Hz, but the actual resolutions supported are dependent on the monitor being used.

ATX Power/ 电源

No.	Pin Define	No.	Pin Define
1	3.3V	13	3.3V
2	3.3V	14	-12V
3	GND	15	GND
4	+5V	16	PS_ON
5	GND	17	GND
6	+5V	18	GND
7	GND	19	GND
8	Power Good	20	-5V
9	5VSB	21	+5V
10	+12V	22	+5V
11	+12V	23	+5V
12	3.3V	24	GND

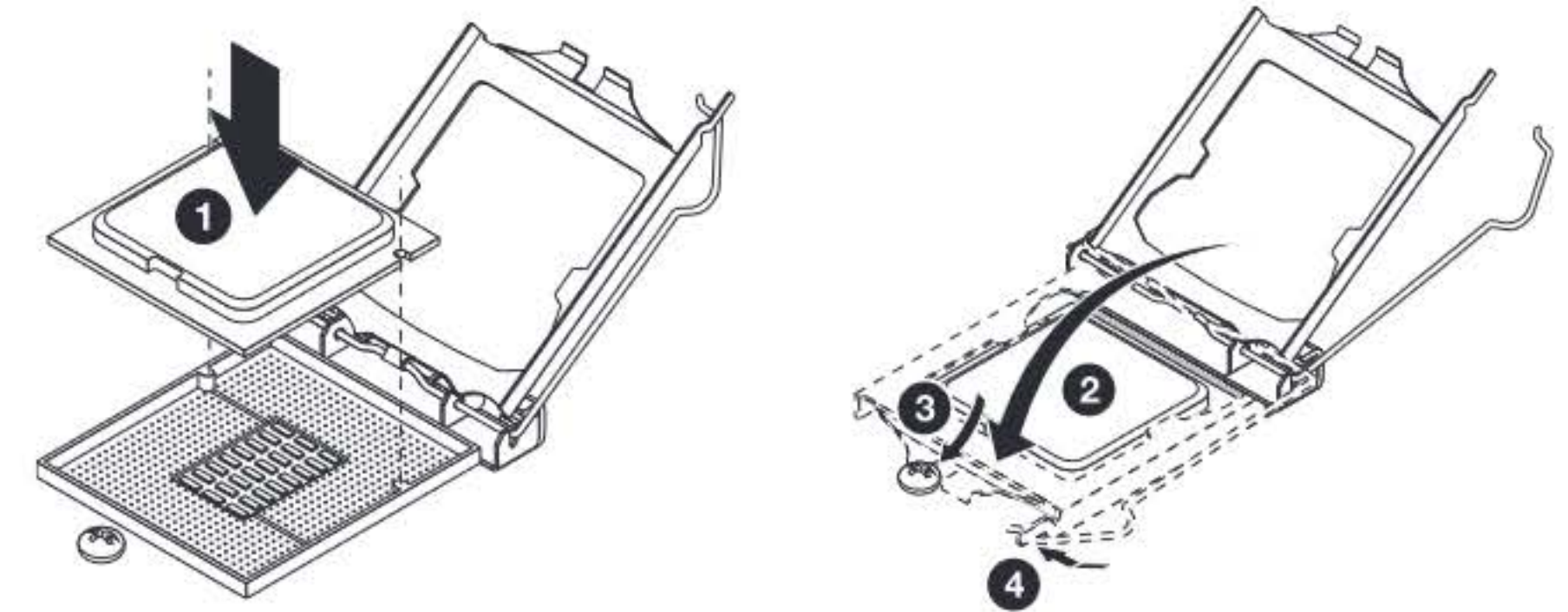
Front Panel Header/ 前面板

No.	Pin Define
1	HDD LED+
2	GND
3	Power LED+
4	HDD LED-
5	Power LED-
6	GND
7	Power Button+
8	Reset Button
9	Power Button-
10	No Connect

CPU/System FAN/ 风扇

No.	Pin Define
1	GND
2	+12V
3	Sense
4	Speed Control

Installing CPU/ 安装 CPU



SATA Connector/SATA 接口

No.	Pin Define
1	GND
2	TXP
3	TXN
4	GND
5	RXN
6	RXP
7	GND

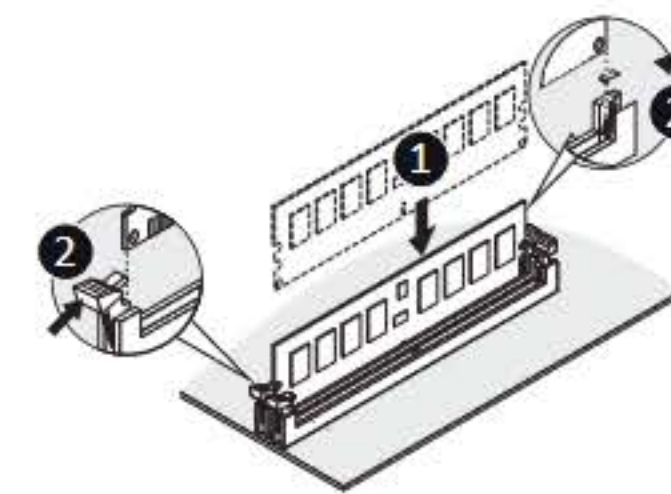
Front Audio Connector/ 前置音频

No.	Pin Define
1	MIC2_L
2	GND
3	MIC2_R
4	FP_AUDIO_DET
5	LINE2_R
6	GND
7	F_Audio_JD
8	No Pin
9	LINE2_L
10	GND

USB 2.0 Header

No.	Pin Define	No.	Pin Define
1	Power (5V)	6	USB DY+
2	Power (5V)	7	GND
3	USB DX-	8	GND
4	USB DY-	9	No Pin
5	USB DX+	10	No Connect

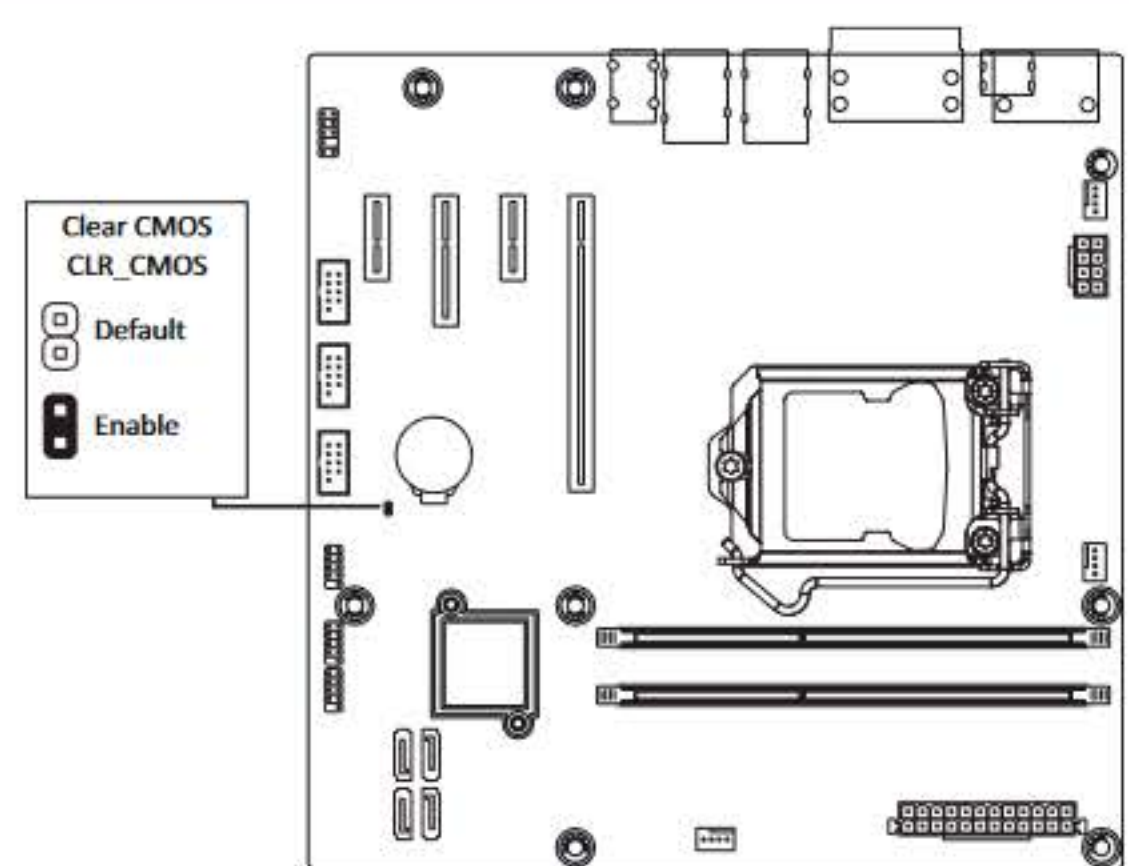
Memory Population Configuration/ 安装内存



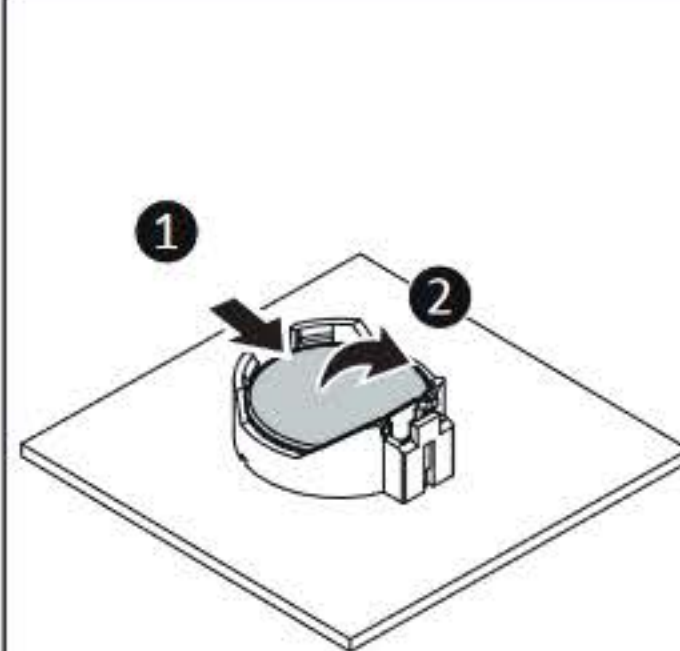
Memory Type	DDR4
Voltage (V)	1.2V
Connector	UDIMM
Speed (MT/s)	2666 2400
Channels	1,2
DIMM Per Channel	1,2
DIMM Capacity (GB)	2,4,6,8

- All channels in system run at the fastest common frequency.
- UDIMM 2666 two DIMMs per channel (2DPC) is supported when channel is populated with the same UDIMM memory module.
- 所有通道模式以最快速率速度运行。
- UDIMM 2666支持每通道两个DIMM (2DPC) 当每通道安装相同速率速度的UDIMM内存模块。

Jumper Settings/ 跳线设置



System Battery



COM2 Connector

No.	Pin Define
1	NDCD-
2	NSIN
3	NSOUT
4	NDTR-
5	GND
6	NDSR-
7	NRTS-
8	NCTS-
9	NRI-
10	No Pin

