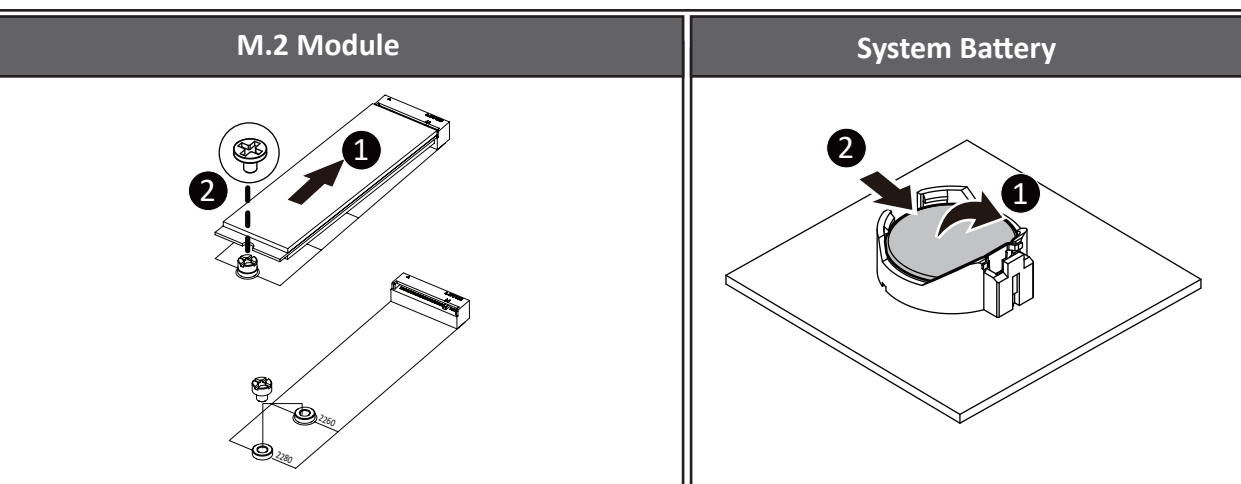
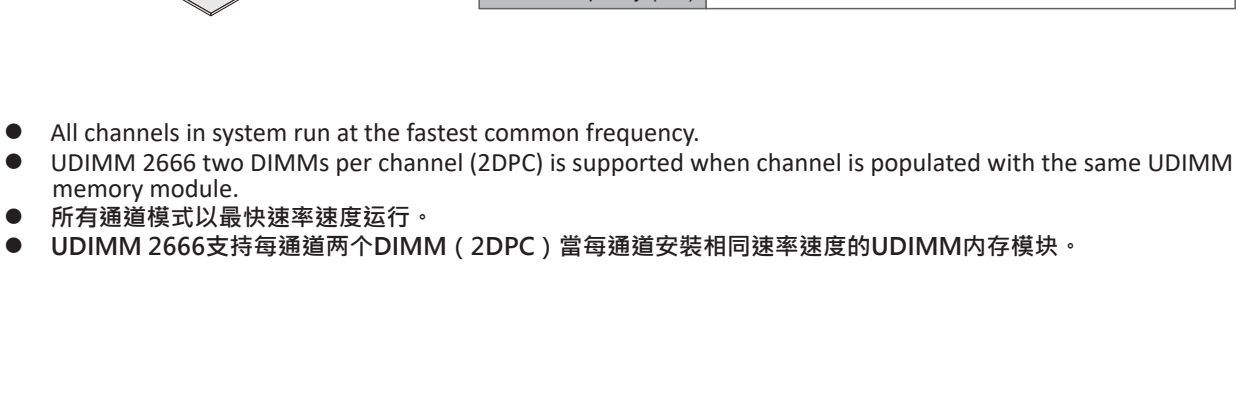
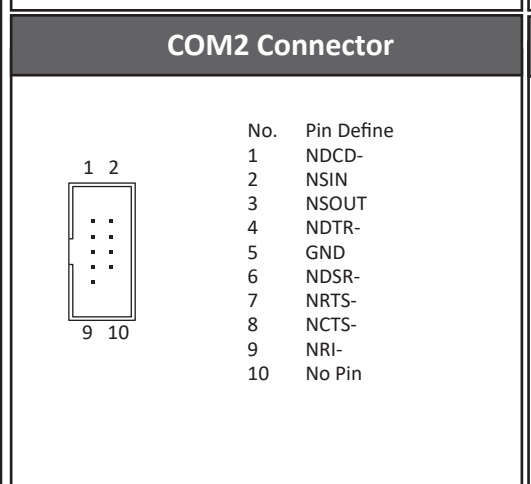
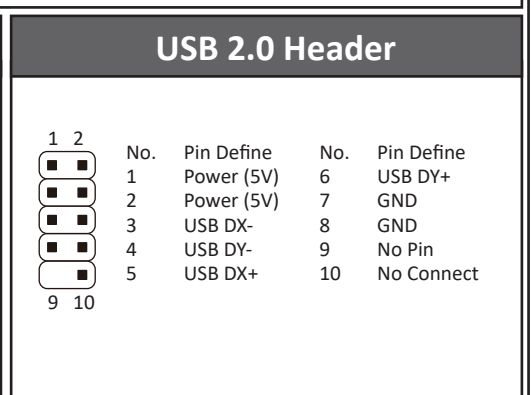
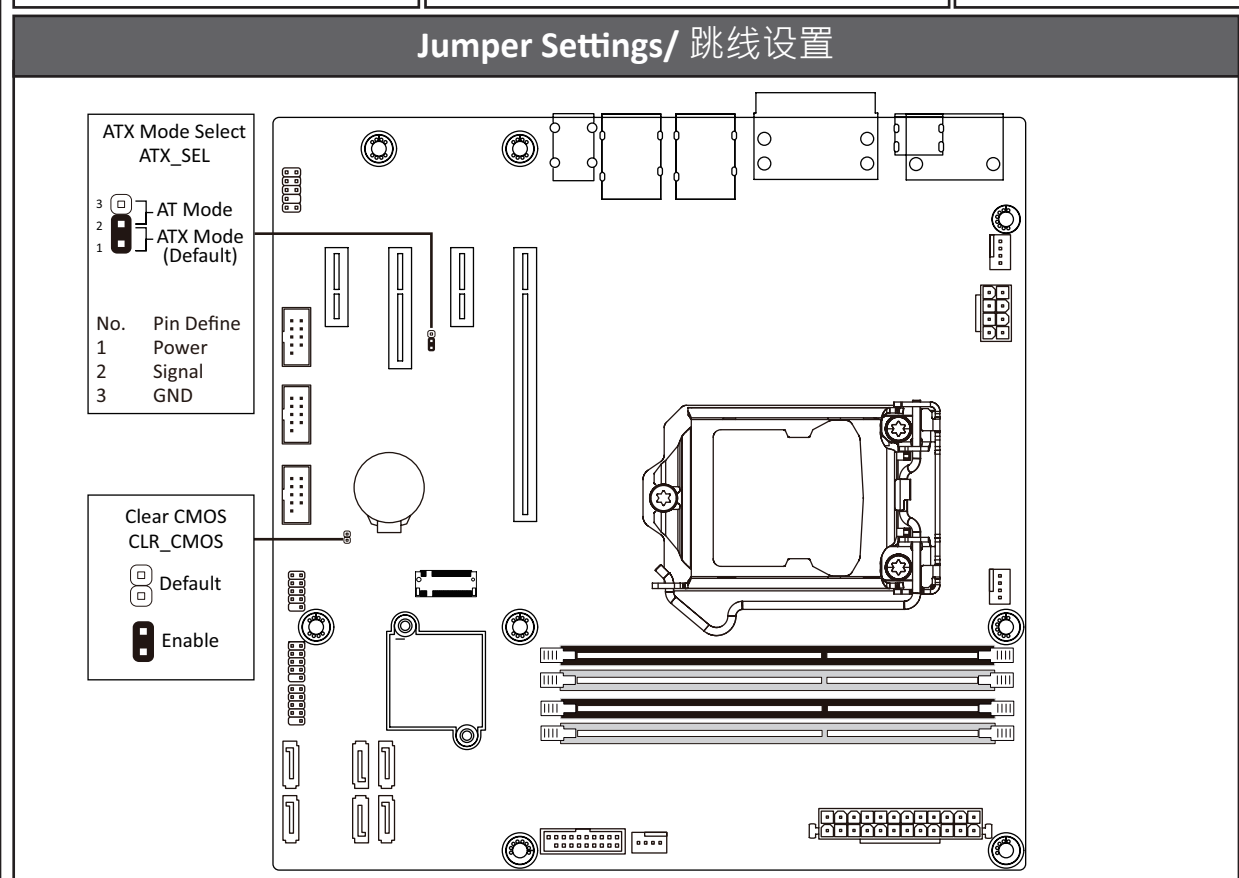
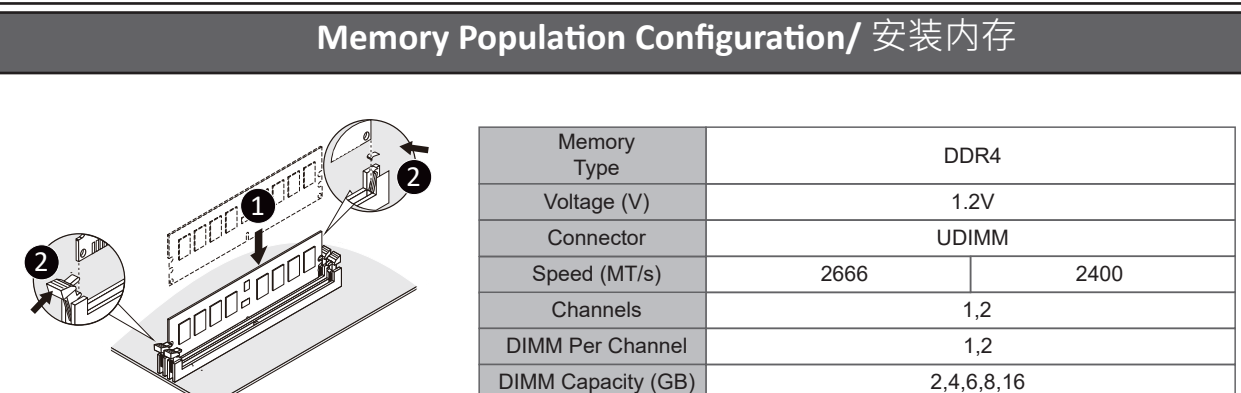
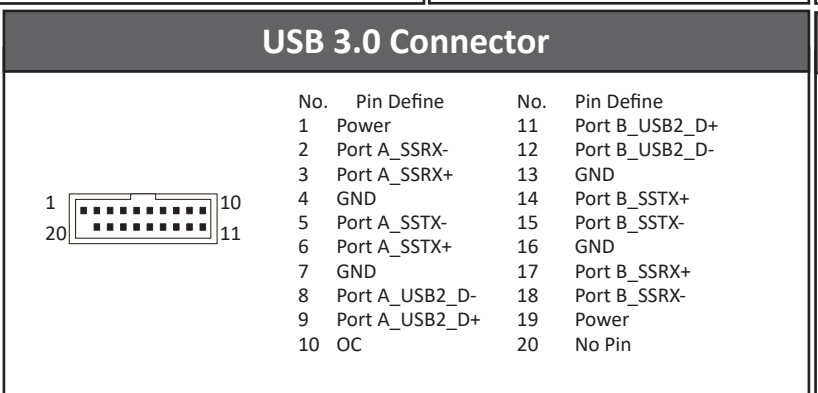
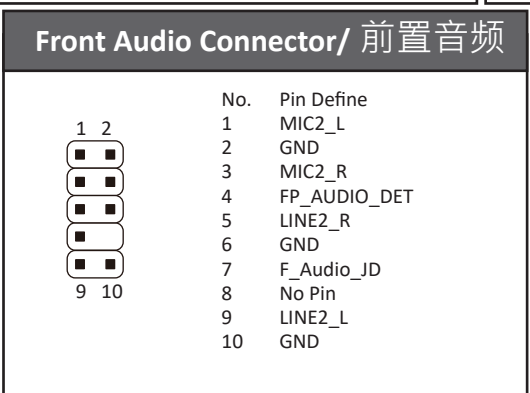
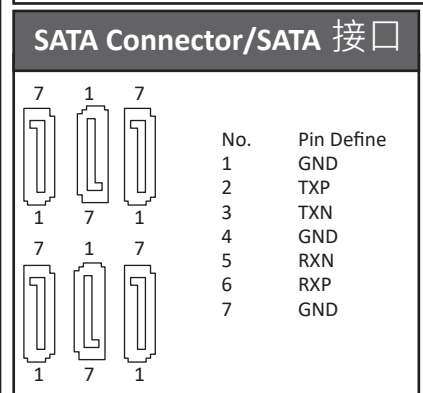
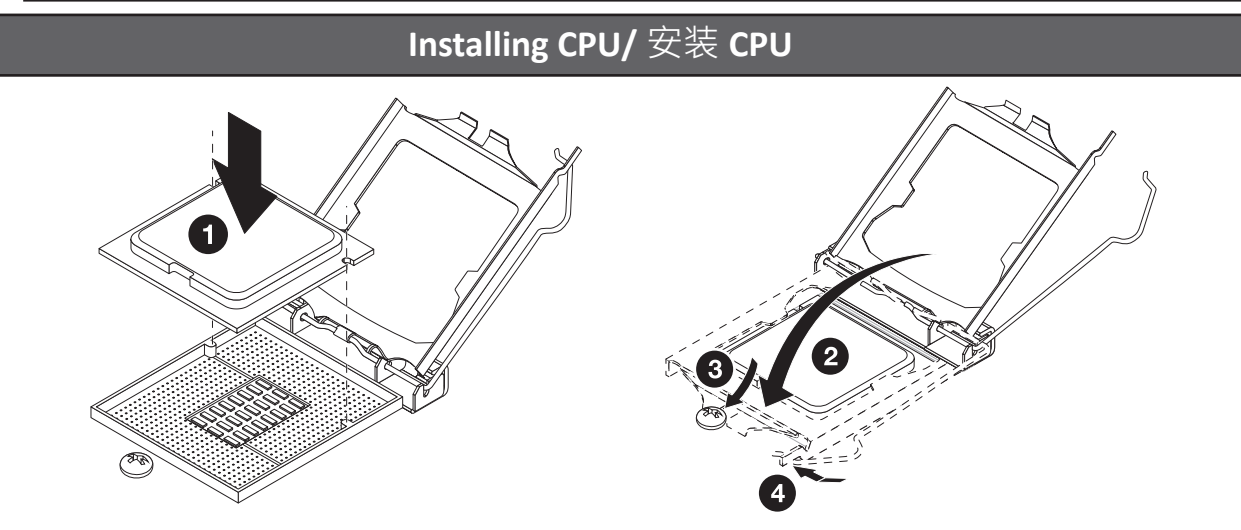
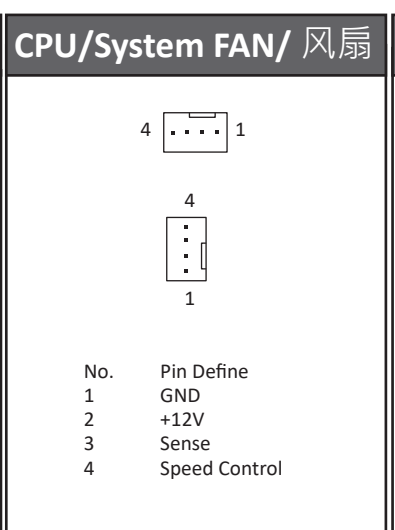
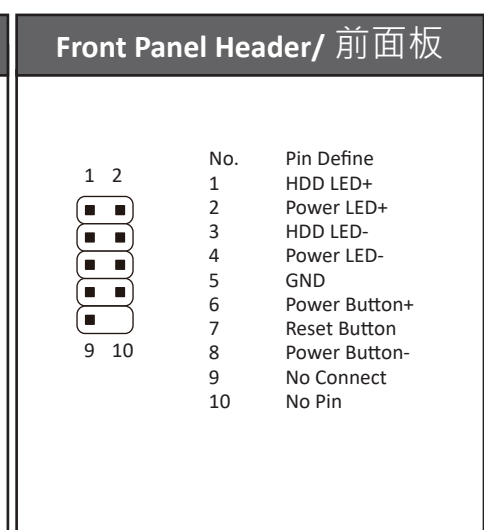
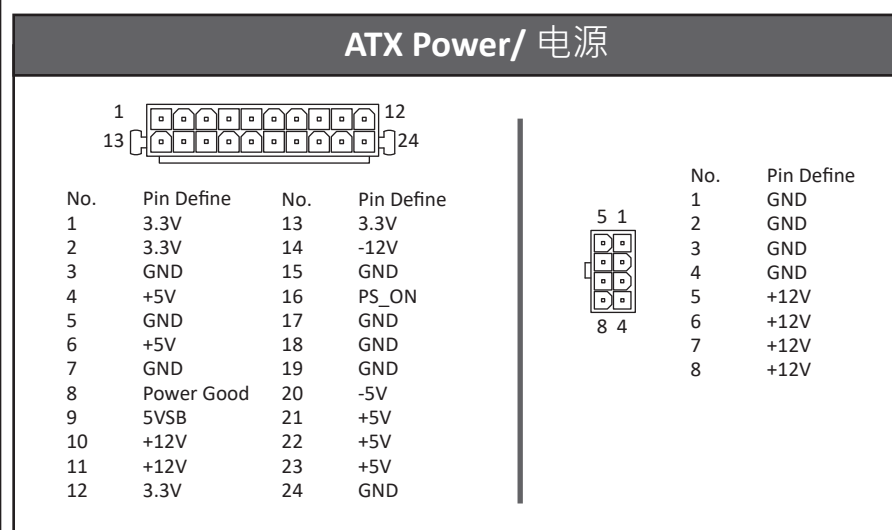
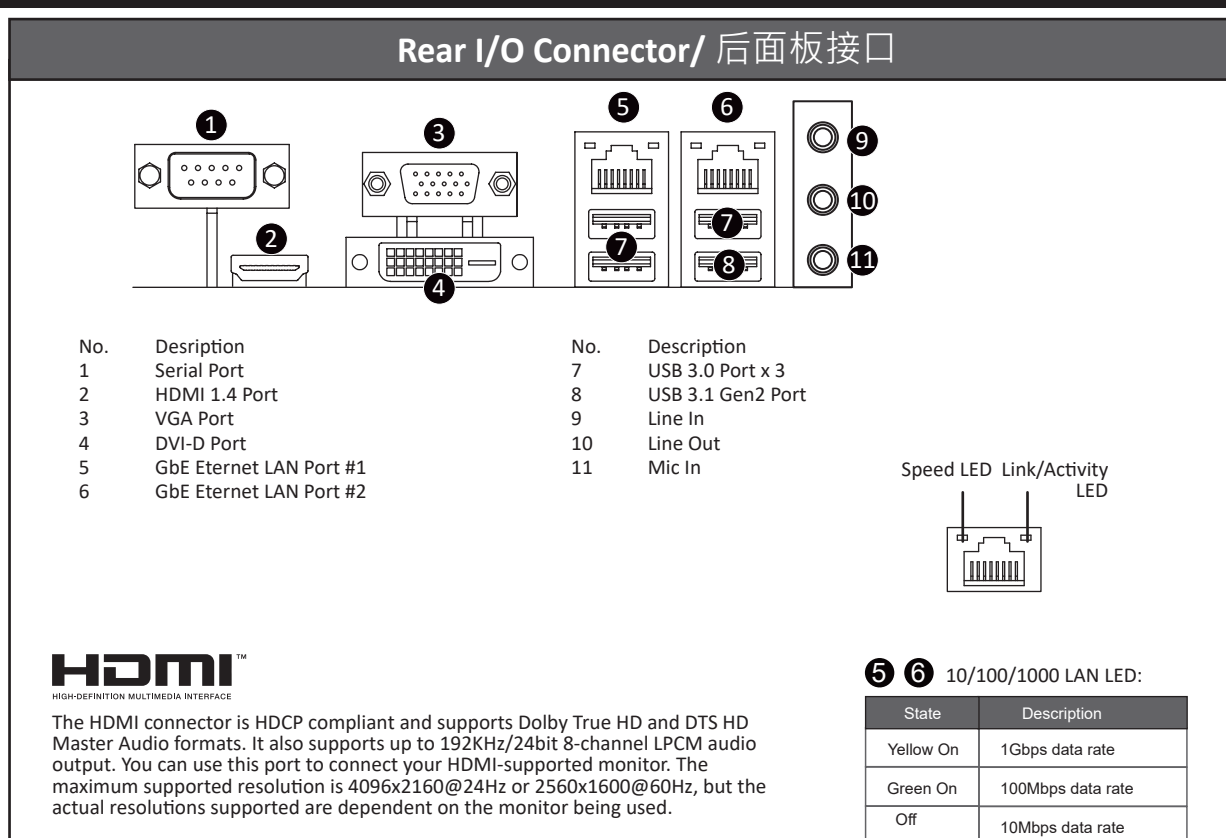
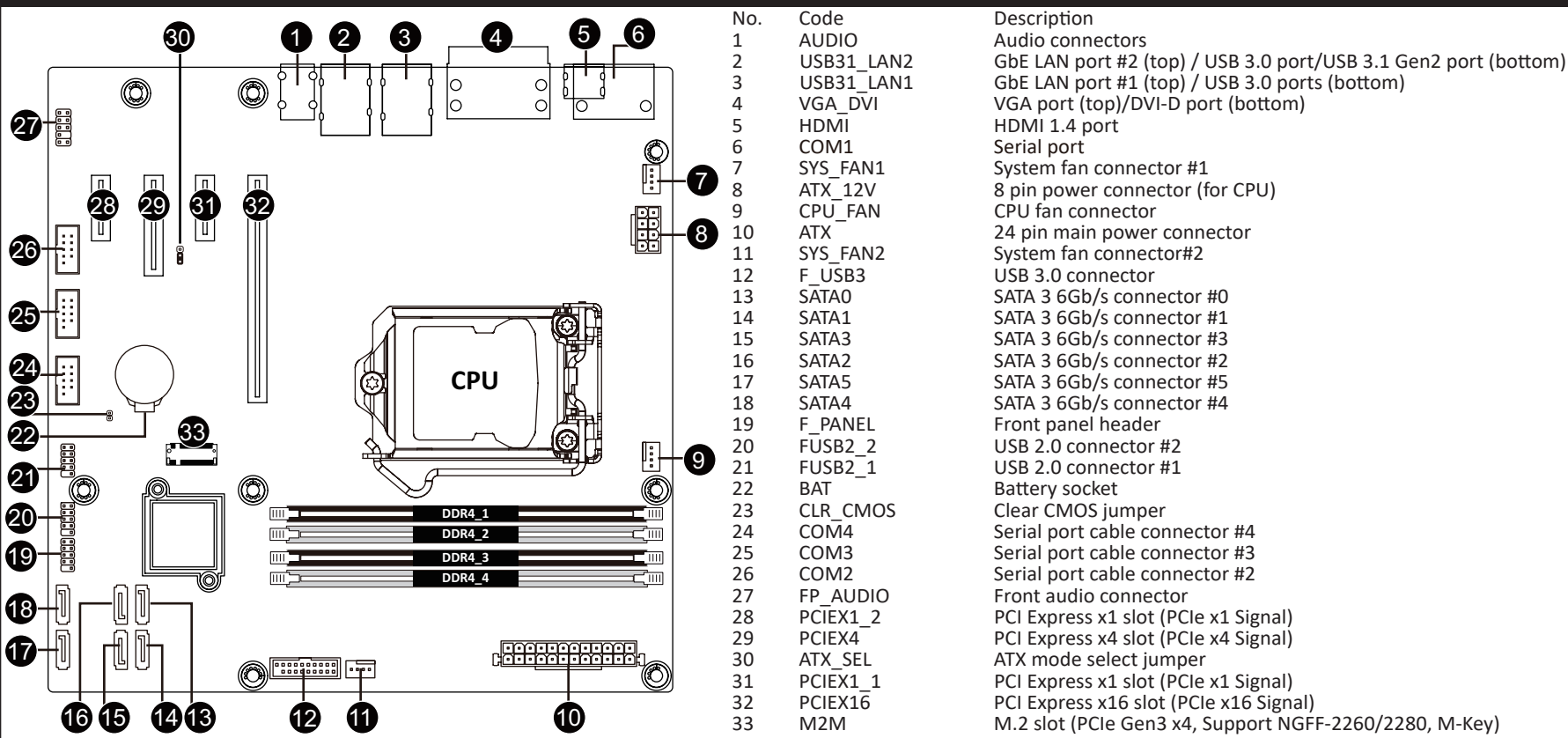


uATX-Q370A (MQ370AM) Quick Reference Guide/ 快速测试参考指南



WEEE Symbol Statement



The symbol shown below is on the product or on its packaging, which indicates that this product must not be disposed of with other waste. Instead, the device should be taken to the waste collection centers for activation of the treatment, collection, recycling and disposal procedure. The separate collection and recycling of your waste equipment at the time of disposal will help to conserve natural resources and ensure that it is recycled in a manner that protects human health and the environment. For more information about where you can drop off your waste equipment for recycling, please contact your local government office, your household waste disposal service or where you purchased the product for details of environmentally safe recycling.

- When your electrical or electronic equipment is no longer useful to you, "take it back" to your local or regional waste collection administration for recycling.
- If you need further assistance in recycling, reusing in your "end of life" product, you may contact us at the Customer Care number listed in your product's user's manual and we will be glad to help you with your effort.

Restriction of Hazardous Substances (RoHS) Directive Statement

GIGABYTE products have not intended to add and safe from hazardous substances (Cd, Pb, Hg, Cr+6, PBDE and PBB). The parts and components have been carefully selected to meet RoHS requirement. Moreover, we at GIGABYTE are continuing our efforts to develop products that do not use internationally banned toxic chemicals.

限制使用有害物质 (RoHS) 指令声明

GIGABYTE产品未故意添加和使用有害物质（Cd、Pb、Hg、Cr+6、PBDE和PBB）。所有部件和元件均经过严格挑选，符合RoHS要求。此外，我们GIGABYTE一直致力于开发不使用国际上禁止的有毒化学品的产品。

California Proposition 65 Warning

WARNING:

This product contains a chemicals , including lead, known to the State of California to cause cancer and birth defects or other reproductive harm. For more information, please visit: <http://www.p65warnings.ca.gov/>



Battery Warning:

Incorrectly installing a battery or using incompatible battery may increase the risk of ifre explosion. Replace the battery only with the same or equivalent type.

- Do not disassemble, crush, punchture batteries.
- Do not store or place your battery pack next to or in a heat source such as a fire, heatgenerating appliance, can or exhaust vent. Heating battery cells to temperatures above 65oC (149oF) can cause explosion or fire.
- Do not attempt to open or service batteries. Do not dispose of batteries in a fire or with household waste.



电池警告：

电池安装不当或使用不兼容的电池会增加火灾爆炸风险。更换电池时，只可使用相同或同等类型的电池。

- 请勿拆解、挤压、刺破电池。
- 请勿将电池存放或放置在热源中或旁边，如火源、产生热的设备、罐体或排气口。电池温度升至65oC (149oF)以上可能导致爆炸或火灾。
- 请勿尝试打开或维修电池。电池废弃时，请勿投入火中或者作为家庭废弃物进行处理。

中华人民共和国电子信息产品中有毒有害物质或元素的名称及含量标识格式

依照中华人民共和国的有毒有害物质的限制要求(China RoHS)提供以下的表格：



关于符合中国《电子信息产品污染控制管理办法》的声明
Management Methods on Control of Pollution from Electronic Information Products
(China RoHS Declaration)

产品中有毒有害物质或元素的名称及含量
Hazardous Substances Table

部件名称(Parts)	有毒有害物质或元素(Hazardous Substances)					
	铅(Pb)	汞(Hg)	镉(Cd)	六价铬 (Cr(VI))	多溴联苯 (PBB)	多溴二苯醚 (PBDE)
PCB板 PCB	○	○	○	○	○	○
结构件及风扇 Mechanical parts and Fan	×	○	○	○	○	○
芯片及其他主动零件 Chip and other Active components	×	○	○	○	○	○
连接器 Connectors	×	○	○	○	○	○
被动电子元器件 Passive Components	×	○	○	○	○	○
线材 Cables	○	○	○	○	○	○
焊接金属 Soldering metal	○	○	○	○	○	○
助焊剂、散热膏、标签及其他耗材 Flux,Solder Paste,Label and other Consumable Materials	○	○	○	○	○	○
○:表示该有毒有害物质在该部件所有均质材料中的含量均在SJ/T11363-2006标准规定的限量要求以下。 Indicates that this hazardous substance contained in all homogenous materials of this part is below the limit requirement SJ/T 11363-2006						
×:表示该有毒有害物质至少在该部件的某一均质材料中的含量超出SJ/T11363-2006标准规定的限量要求。 Indicates that this hazardous substance contained in at least one of the homogenous materials of this part is above the limit requirement in SJ/T 11363-2006						
对销售之日的所发售产品，本表显示我公司供应链的电子信息产品可能包含这些物质。注意：在所售产品中可能会也可能不会含有所有列出的部件。 This table shows where these substances may be found in the supply chain of our electronic information products, as of the date of the sale of the enclosed products, Note that some of the component types listed above may or may not be a part of the enclosed product.						

For more information, visit our website at:

<https://www.gigapc.com>

Join our server forum to discuss our products and get technical assistance at:

<https://www.facebook.com/gigapc>

