



I-87055W

8-channel Non-Isolated Digital Input and 8-channel Non-Isolated Digital Output Module with 16-bit Counters

Introduction

I-87055W offers 8-channel sink type digital inputs and 8-channel sink type digital outputs. All DI channels are also able to be used as 16-bit counters. I-87055W has 16 LED indicators for both DI & DO channel status. 4 kV ESD protection for input/output channels is standard.

Features

- Support Digital Inputs (Sink Type)
- Support Digital Outputs (Sink Type)
- DI Can Be Used As Counters
- 4 kV ESD Protection
- RoHS Compliant
- Wide Operating Temperature Range: -25 ~ +75°C



Applications

Building Automation, Factory Automation, Machine Automation, Remote Maintenance, Remote Diagnosis, Testing Equipment.

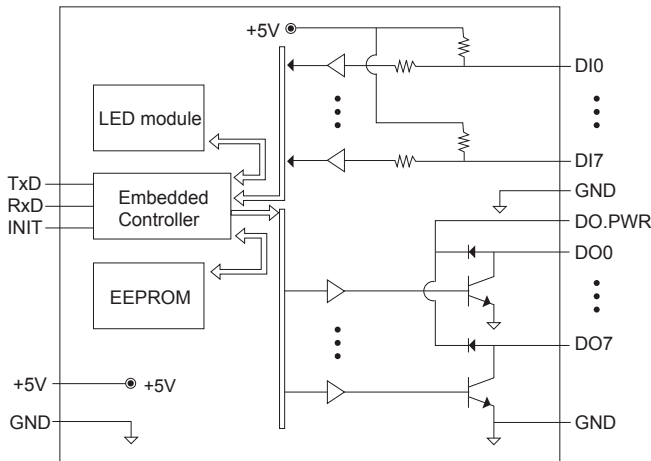
System Specifications

Communication	
Interface	RS-485
Format	N, 8, 1
Baud Rate	1200 ~ 115200 bps
Protocol	DCON
Dual Watchdog	Yes, Module (1.6 Seconds), Communication (Programmable)
Safe Value (When Host Fail or Communication Fail)	Yes
Power-on Preset Value	Yes
LED Indicator/Display	
System LED Indicator	1 LED as Power/Communication Indicator
I/O LED Indicator	16 LEDs as High/Low Alarm Signals
Isolation	
Intra-Module Isolation, Field-to-Logic	3000 V _{dc}
EMS Protection	
ESD (IEC 61000-4-2)	4 kV Contact for Each Terminal
	8 kV Air for Random Point
Power	
Power Consumption	0.6 W Max.
Mechanical	
Dimensions (W x L x H)	30 mm x 102 mm x 115 mm
Environment	
Operating Temperature	-25 ~ +75°C
Storage Temperature	-40 ~ +85°C
Humidity	10 ~ 95% RH, Non-condensing

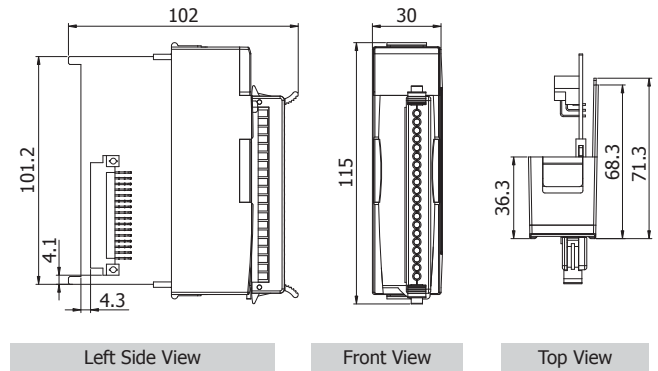
I/O Specifications

Digital Input		
Channels	8	
Type	Dry Contact	
Sink /Source (NPN /PNP)	Sink	
On Voltage Level	Close to GND.	
Off Voltage Level	Open	
Counters	Channels	8
	Max. Counts	16-bit (65535)
	Max. Input Frequency	100 Hz
	Min. Pulse Width	5 ms
Channel to Channel Isolation	Yes	
Low Pass Filter	Yes	
Effective Distance for Dry Contact	100 m Max.	
Digital Output		
Channel	8	
Type	Open Collector	
Sink /Source (NPN /PNP)	Sink	
Load Voltage	+5 V _{dc} ~ +30 V _{dc}	
Max. Load Current	100 mA/ channel	
Short Circuit Protection	-	
Power-on Value	Yes	
Safe Value	Yes	

Internal I/O Structure



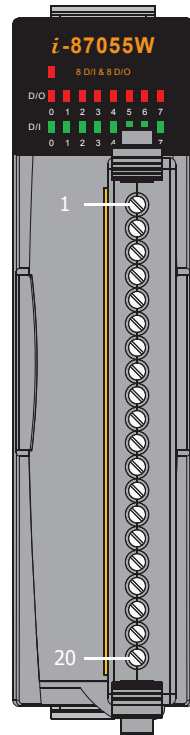
Dimensions (Units: mm)



Wire Connections

Input Type	ON State LED ON Readback as 1	OFF State LED OFF Readback as 0
Relay Contact	Relay ON 	Relay OFF
	TTL/CMOS Logic Voltage > 1 V Logic Level Low Logic GND	Voltage < 3.5 V Logic Level High Logic GND
Open Collector	Open Collector ON 	Open Collector OFF
	Drive Relay	Resistance Load
Drive Relay	Resistance Load	Resistance Load

Pin Assignments



Terminal No.	Pin Assignment
01	DI0
02	DI1
03	DI2
04	DI3
05	DI4
06	DI5
07	DI6
08	DI7
09	GND
10	GND
11	GND
12	DO0
13	DO1
14	DO2
15	DO3
16	DO4
17	DO5
18	DO6
19	DO7
20	DO.PWR

Ordering Information

I-87055W-G CR

8-channel Non-Isolated Digital Input and 8-channel Non-Isolated Digital Output Module with 16-bit Counters (Gray Cover) (RoHS)

Accessories

	RM-104/108/116	Power Relay Module ,1 form C
	RM-204/208/216	Power Relay Module ,2 form C
	DN-SSR4	4-channel Solid state Relay Module ,1 form A

	RM-22.22	2 Pole, 20 A relay for direct 35 mm rail (EN 50022) mounting
	SG-770 CR	7 channel differential or 14 channel single-ended surge protector (RoHS)