

# TANK-620

- Intel Skylake ULT CPU
- Fanless Embedded Computer

**Preliminary**

## Features

- Intel® Celeron® 3855U Skylake processor, TDP 15W
- Multiple COM port (up to 14)
- Multiple USB & LAN
- 24-bit DIO control
- DIO & COM port with TX signal LED indicator for data transmission indication
- Easy accessible storage

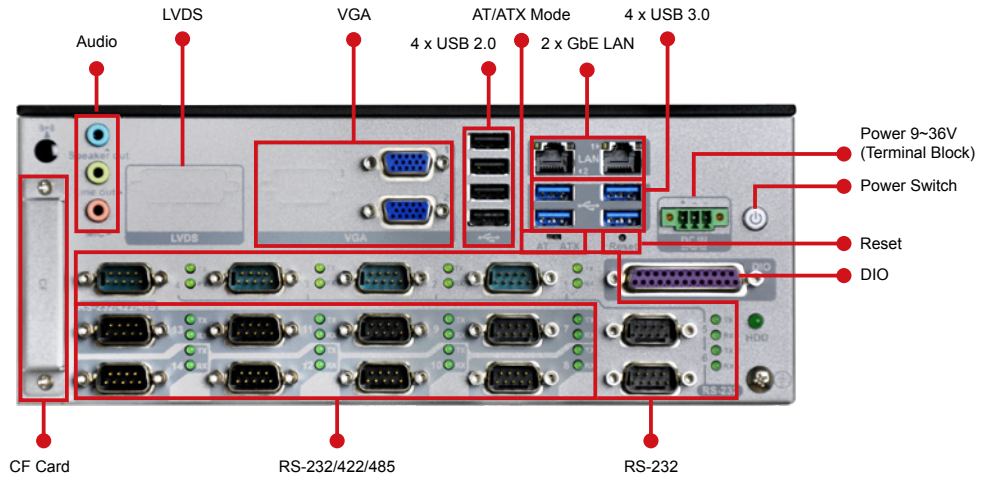


## Specifications

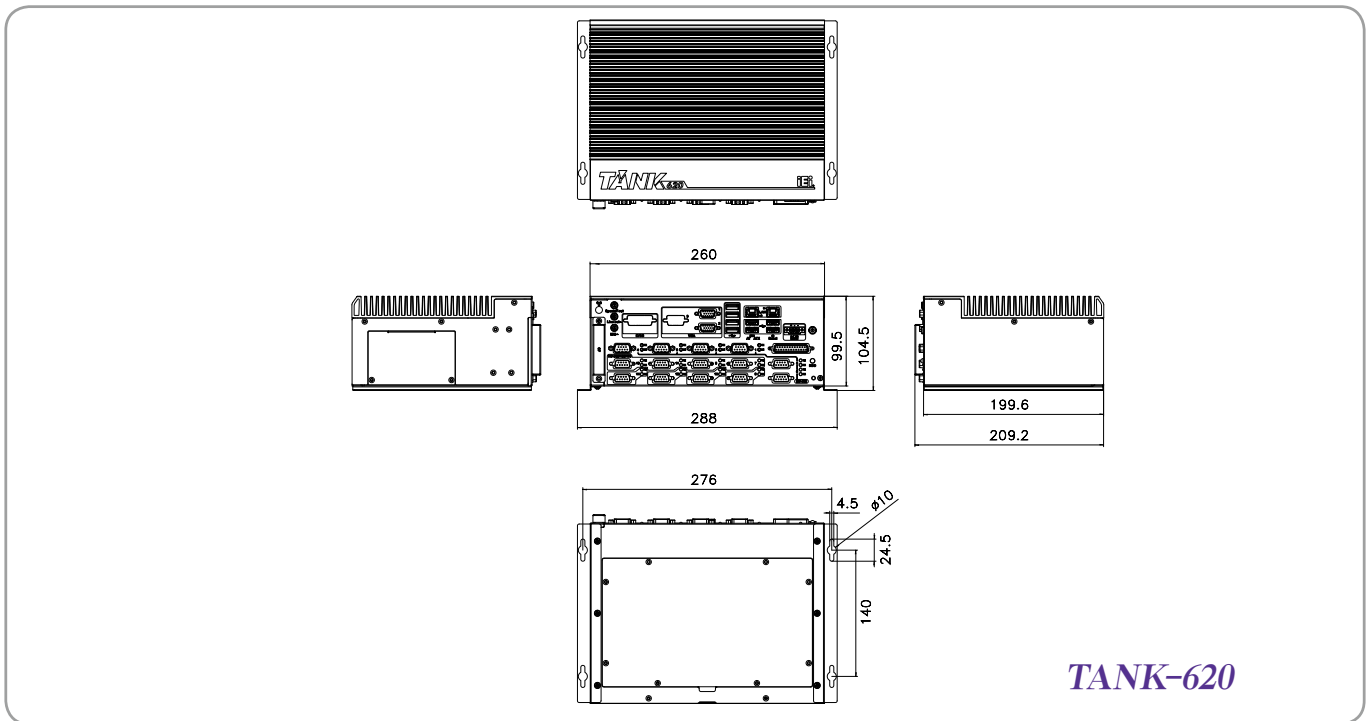
Model Name		TANK-620
Chassis	Color	Black C + Silver
	Dimensions (WxDxH)	260 x 200 x 100
	System Fan	Fanless
	Chassis Construction	Extruded aluminum alloys
Motherboard	CPU	Intel® Celeron® 3855U 15W Skylake processor
	Chipset	SoC
	System Memory	1 x 260-pin DDR4 SO-DIMM 1 x on-board DDR4 4GB pre-installed (system max: 32GB)
Storage	Hard Drive	1 x 2.5" SATA 6Gb/s HDD/SSD Bay
	CF	1 x CF card (optional*)
	NVRAM	1 Mb FRAM
I/O Interfaces	USB 3.0	4
	USB 2.0	4
	Ethernet	2 x RJ-45 PCIe GbE by Intel® I211-AT controller
	RS-232/422/485	6 x RS-232 (DB-9) 8 x RS-232/422/485 ports with automatic flow control (DB-9)
	Digital I/O	1 x 24-bit digital I/O
	Display	2 x VGA, (1 x LVDS or 1 x VGA optional )
	Resolution	VGA: Up to 1920 x 1200 @60Hz LVDS: Up to 1920 x 1200 @60Hz (optional)
	Audio	1 x Mic in, 1 x Speaker out, 1 x Line in
	Wireless	1 x 802.11a/b/g/n/ac (optional)
Expansions	PCIe Mini	1 x Full-size PCIe Mini (support mSATA, co-lay SATA2) 1 x Full size PCIe Mini
	Power	Power Input 9 ~ 36 V DC +/- 5%
Power	Power Consumption	TBD
	Others	1 x System reset, power button, AT/ATX switch
	Reliability	Mounting Wall Mount
Reliability	Operating Temperature/Humidity	-30 ~ 70 °C with air flow (SSD), 10% ~ 95%, non-condensing
	Storage Temperature	-40 ~ 85 °C
	Operating Shock	Half-sine wave shock 5G, 11ms, 100 shocks per axis
	Operation Vibration	MIL-STD-810G 514.6C-1 (with SSD)
	Weight ( Net/Gross)	TBD
	Safety / EMC	CE/FCC
	Watchdog Timer	Programmable 1~255 sec/min
Others	LED	Power LED, HDD LED, COM ports
OS	Supported OS	Microsoft® Windows 8 Embedded, Microsoft® Windows® Embedded Standard 7 E, Microsoft® Windows® 10

\* only support with SATA converter card

Fully Integrated I/O



Dimensions (Unit: mm)



Ordering Information

Part No.	Description
TANK-620-ULT3-CE/4G-R10	Fanless wide temperature embedded system with Intel® Celeron® 3855U 1.6GHz (dual-core, TDP 15W), on-board 4GB DDR4 memory, 9 V~36V DC, with USB, dual VGA, dual Intel® PCIe GbE, COM, DIO, RoHS

Options

Part No.	Description
32702-000400-200-RS	European power cord
EMB-WIFI-KIT01-R20	1T1R wifi module kit for embedded system, IEEE802.11a/b/g/n/ac WiFi with Bluetooth 4.0/3.0+HS, 1 x wifi module, 2 x 250mm RF cable, 2 x Antenna, RoHS
63040-010096-100-RS	Power adapter; FSP096-AHAN2; 9NA0961102; Active PFC; Vin:90~64VAC; 96W; Dim:75.6*151.3*25.4mm; plug=6.5mm; cable=1500mm; Erp (noload 15W); Vout: 12VDC; 4-pin DIN w/ lock; CCL; RoHS
TANK-620-ULT3-WES7E64-R10	OS image with Windows® Embedded Standard 7E 64-bit for TANK-620-ULT3 series, with DVD-ROM, RoHS

Packing List

1 x Wall mount bracket	1 x Screw set
------------------------	---------------