

PRTD-090T



FEATURES

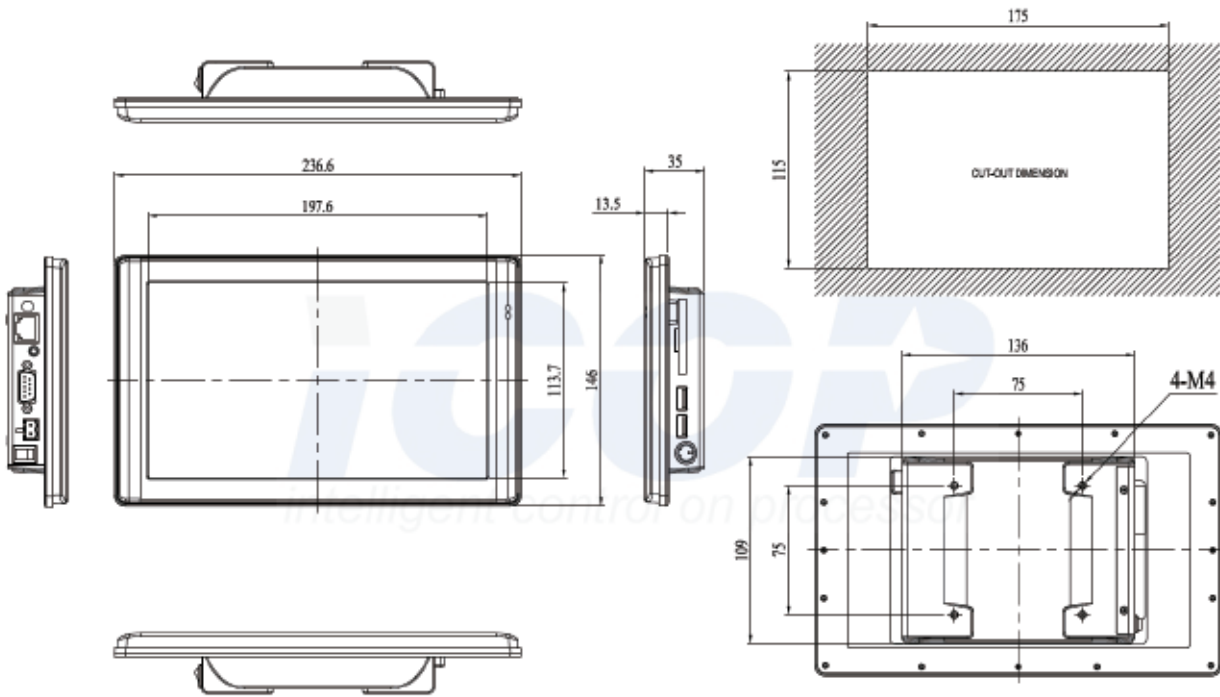
- 9" TFT LCD with Resistive Touchscreen
- RTD1195-1.2GHz Cortex-A7 ARM Dual-Core Onboard
- 1GB/ 2GB DDR3 System Memory Onboard
- Fanless and Low Power Consumption
- Metal Chassis with Compact Design
- Micro SD Slot
- 4G Flash Memory onboard (Android Pre-installed)



SPECIFICATION

| | | |
|-----------------------|--|---------------------------------|
| LCD Display | Type | WSVGA TFT LCD |
| | Size | 9" |
| | Resolution (Pixel) | 1024(W) x 600(H) |
| | Colors | 262,144 |
| | View Angle | Vertical 120° / Horizontal 140° |
| | Brightness | 300 cd/m2 |
| | Backlight Life | 18,000 hrs |
| | Contrast Ratio | 500 : 1 |
| CPU | RTD1195-1.2GHz Cortex-A7 ARM Dual-Core Processor | |
| Cache | 512KB L2 Cache | |
| Memory | 1GB / 2GB DDR3 Memory Onboard | |
| Watchdog Timer | Watchdog Timer count at a fixed 27MHz rate x 1 | |
| Serial Port | RS-232 x 1 | |
| USB Ports | USB 2.0 x1 , USB 3.0 x 1 | |
| Ethernet | Integrated Gigabit Ethernet x 1 | |
| Audio | Line-out x 1 | |
| Internal Drives | Micro SD slot, 4G Flash Memory onboard (Android Pre-installed) | |
| Touch Screen Type | Analog Resistive | |
| Expansion Slot | None | |
| Power Requirement | Single Voltage +5VDC (5A)/ Multi Voltage +8~+35VDC (8A) | |
| Power Consumption | 10W (Max.) | |
| Operating Temperature | 0~+60°C (32~+140°F) / -20~+70°C (-4~+158°F) Optional | |
| Storage Temperature | -30~ +70°C (-22~+158°F) | |
| Operating Humidity | 0% ~ 90% Relative Humidity, Non-Condensing | |
| Operating System | Android 4.4.4 | |
| Dimensions | 236.6x146x35mm (9.31x5.75x1.38 inches) | |
| Weight | 755g | |
| Certificate | CE / FCC / VCCI / Vibration / Shock / IP65 (Front Panel) | |

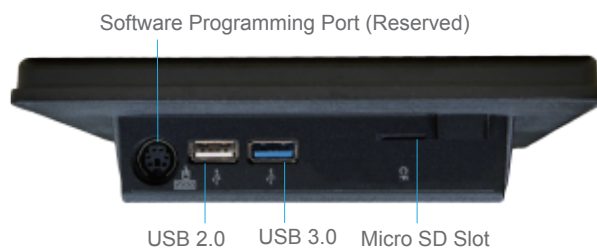
DIMENSIONS



Unit: mm

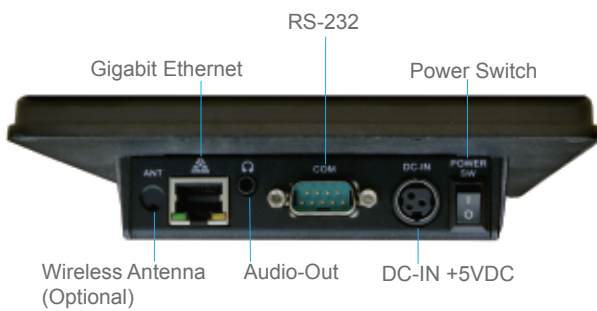
I/O Overview

PRTD-090T Series Right site



PRTD-090T Series -Left site

PRTD-090T-5A Series



PRTD-090T-8A Series

