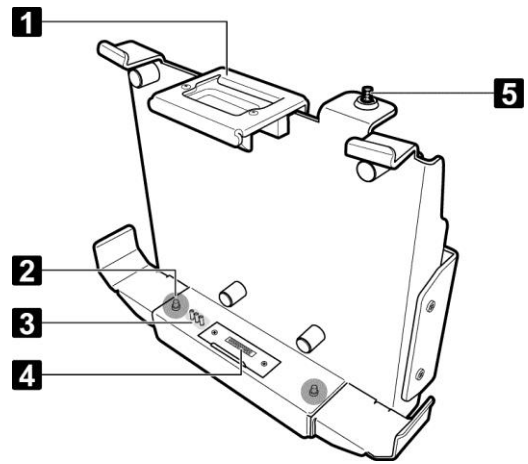


# U11I – Vehicle Docking

## Product Overview

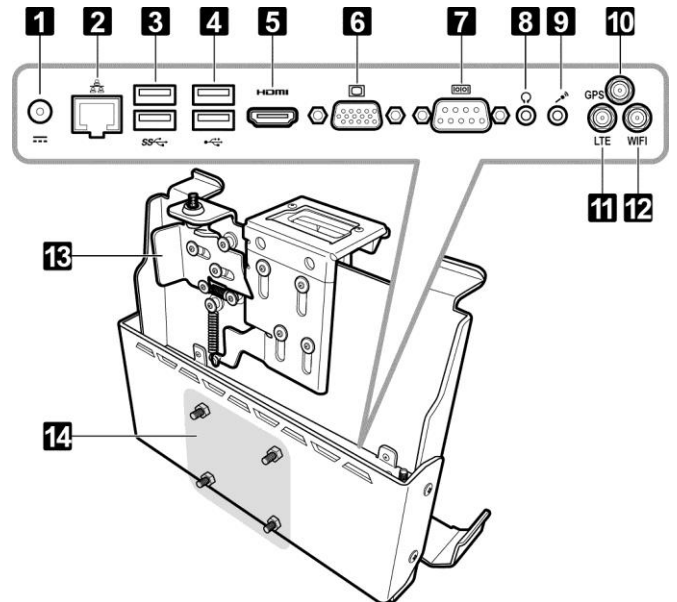
No.	Item
1	Top clamp
2	Grounding pin (x2)
3	Triple RF pass-thru connectors
4	Docking connector
5	Lock (with key slot)

**Front**



**Rear**

No.	Item
1	DC-in jack *
2	LAN (RJ-45) port
3	USB3.0 port (x2)
4	USB2.0 port (x2)
5	HDMI port
6	VGA port
7	Serial port (RS-232)
8	Audio out jack
9	Microphone in jack
10	GPS antenna port
11	LTE antenna port
12	WIFI antenna port
13	Slide latch
14	Mounting holes for VESA mount With VESA screw (x4)



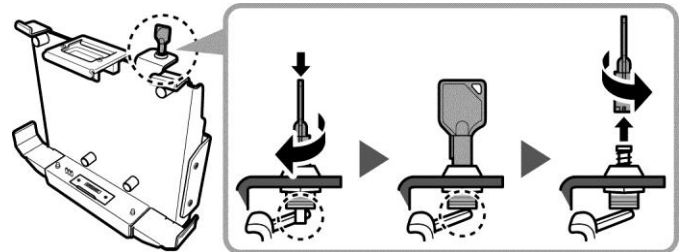
\*Please contact dealer for appropriate adapter.

## Unlock the Lock

Lock on the docking cradle was locked during packaging.

To unlock lock, do the following:

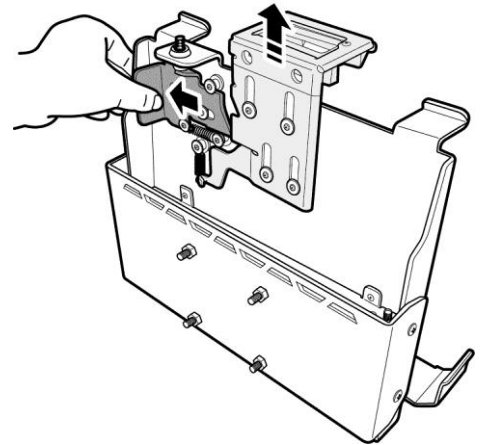
1. Insert the lock key.
2. Turn it clockwise until a "click" is heard, indicating the lock is released.
3. Turn the key back counterclockwise to remove it from the key slot.



# U11I – Vehicle Docking

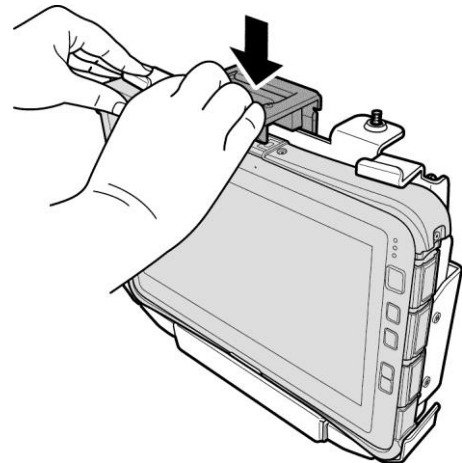
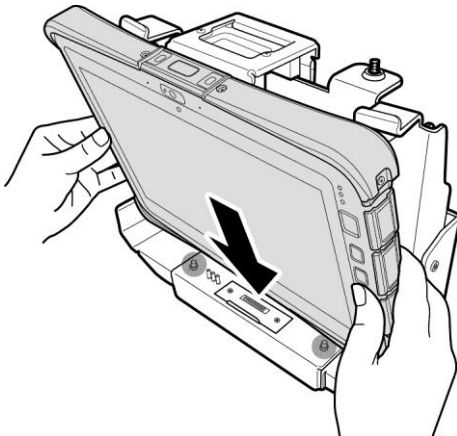
4. Push the side latch all the way to the left to disengage the top clamp.

**NOTE:** Top clamp disengages automatically after the side latch is fully extended.



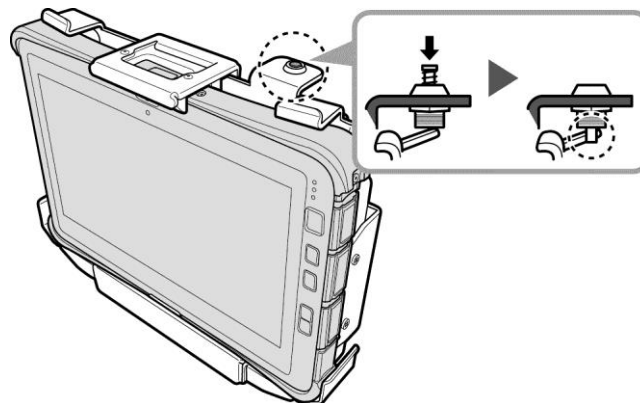
## Docking the Tablet PC

1. With screen side facing out and docking connector down, insert the tablet PC into the grounding pin on docking cradle.
2. Secure the tablet PC by pressing firmly on the top clamp until a "click" is heard and the lock is fully engaged.



3. Fully push the lock into position to ensure the lock is tightly secured.

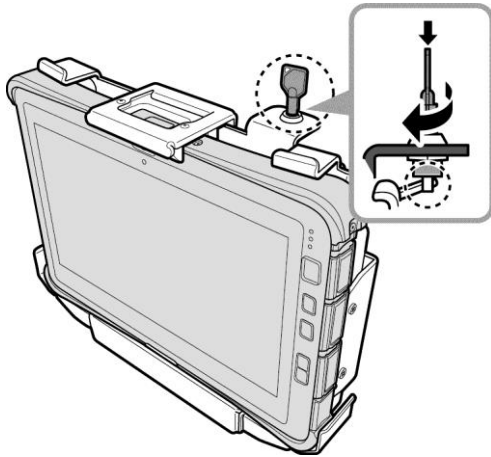
**NOTE:** If the lock cannot be pushed, adjust the lock position and repeat step 3.



# U11I – Vehicle Docking

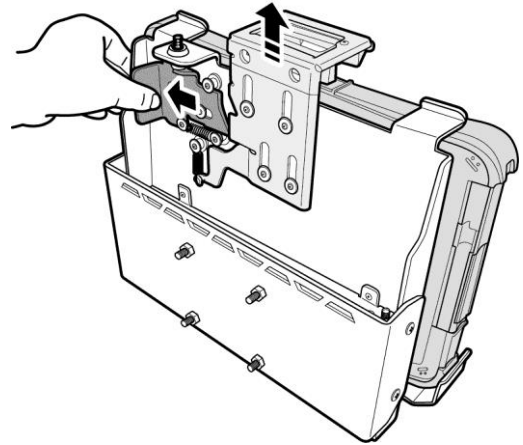
## Undocking the Tablet PC

1. Insert the lock key into the lock and turn clockwise until a “click” is heard. Turn the key back counterclockwise to remove it from the key slot. Refer to the “**Unlock the Lock**” section.

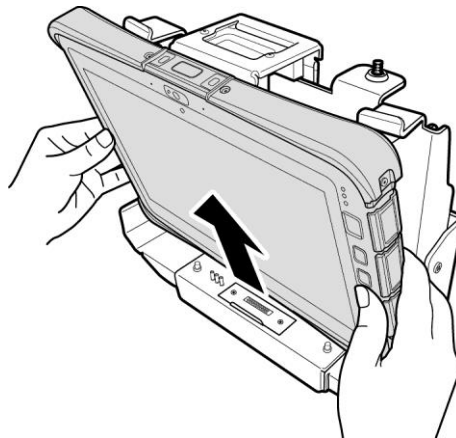


2. Push the side latch all the way to the left to disengage the top clamp.

**NOTE:** Top clamp disengages automatically after the side latch is fully extended.



3. Remove the tablet PC from the docking cradle.



## FCC Regulations

This device complies with Part 15 of the FCC Rules. Operation is subject to the following two conditions: (1) this device may not cause harmful interference, and (2) this device must accept any interference received, including interference that may cause undesired operation.

This device complies with Industry Canada’s licence-exempt RSSs. Operation is subject to the following two conditions: (1) This device may not cause interference; and (2) This device must accept any interference, including interference that may cause undesired operation of the device.

*Le présent appareil est conforme aux CNR d'Industrie Canada applicables aux appareils radio exempts de licence. L'exploitation est autorisée aux deux conditions suivantes: (1) l'appareil ne doit pas produire de brouillage, et (2) l'utilisateur de l'appareil doit accepter tout brouillage radioélectrique subi, même si le brouillage est susceptible d'en compromettre le fonctionnement.*