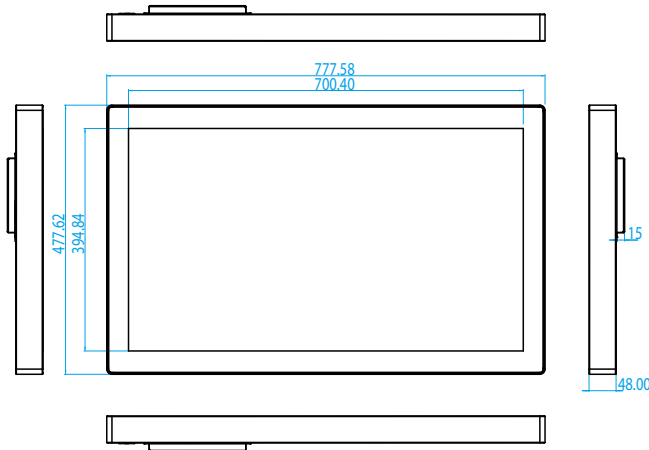


# W32IK7T-PCA3 32" Panel PC (Skylake Intel® 6th Generation Core i3/i5/i7 Processor)

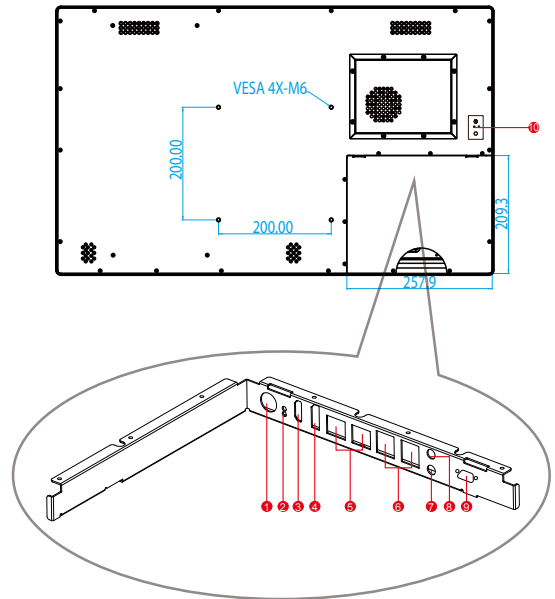
## Mechanical Design



FRONT VIEW



REAR VIEW



1. 24V DC IN
2. Clear CMOS Button
3. HDMI 1.4
4. Display Port 1.2
5. RJ-45 x 2
6. USB 3.0 x 4
7. Microphone In
8. Line In
9. RS232 Connector
10. OSD Control Panel

- \* Measurements shown in mm
- \* Tolerance of all dimensions is shown as follow 0~30 mm ± 0.1 mm, 30~50 mm ± 0.15 mm, 50~120 mm ± 0.2 mm, above 120 mm ± 0.25 mm
- \* Note: this is a simplified drawing and some components are not marked in detail. Please contact our sales representative if you need further product information.

## Specifications

### System

- CPU : Intel® Core™ i7-6700TE 2.4GHz Processor, 8M Cache, up to 3.40 GHz  
Intel® Core™ i5-6500TE 2.30 Processor, 6M Cache, up to 3.30 GHz  
Intel® Core™ i3-6100TE 2.7GHz processor, 4M Cache
- Memory Slot : 2 x SO-DIMM DDR4 2133 MHz RAM (Max 32GB)
- System Chipset : Intel® Q170 Chipset
- IDE/SATA : 4 x SATA III
- LAN : Intel® Ethernet Controller I210-AT + Intel® Gigabit Ethernet PHY I219-LM
- Audio Codec : Realtek ALC823 HD Audio Codec

### Input / Output

- DC Jack : 1 x Din 4P DC Power Jack
- Buttons : 1 x Clear CMOS Button
- HDMI : 1 x HDMI, supports HDMI 1.4, Max resolution 4096 x 2160@24Hz
- DisplayPort : 1 x Display Port, supports DP 1.2, Max resolution 4096 x 2160@60Hz
- Ethernet : 2 x RJ45-10/100/1000Mbps
- USB Ports : 4 x USB 3.0
- Audio : 1 x Mic In (3.5ø Phone Jack), 1 x Line Out (3.5ø Phone Jack)
- Serial Ports : 1 x RS232 Connector

### Power Specifications

- Power Input : 24V DC IN
- Power Consumption : 100 (typ.)(Max.backlight W & high CPU load)

### Accessories

- External Adapter : 110~240V Ac-in Power Adapter

### Panel Spec

- Size/Type : 32" TFT LCD
- Resolutions : 1920 x 1080
- Brightness : 350 cd/m2 (typ.)
- Contrast Ratio : 3000 : 1(typ.)
- Viewing Angles : -89~89(H); -89~89(V)
- Max Colors : 16.7M

### Environment Considerations

- Operating Temperature : 0~ 50 °C
- Operating Humidity : 5% ~ 95% (non-condensing)

### OS BSP / Driver Support

- Support Windows 7 / Windows 8 Embedded / Windows 10 IoT Enterprise

### Order Options

Mechanical	: Front IP65	Storage	: 2.5" SATAIII HDD or SSD/M.2 SSD slot (B key), Max 512GB
Touch	: Projective-Capacitive Touch	RAM	: DDR4 2133 MHz RAM (Max 32GB)
		OS	: Windows Embedded Std. 7 Windows 7 PRO for Embedded System Windows Embedded 8.1 Industry Pro Windows 10 IoT Enterprise

Note: All Specifications are subject to change without prior notice!

Revised Date: 31-Jul-2017 V1.2