

## Tag



**WLS-T01**

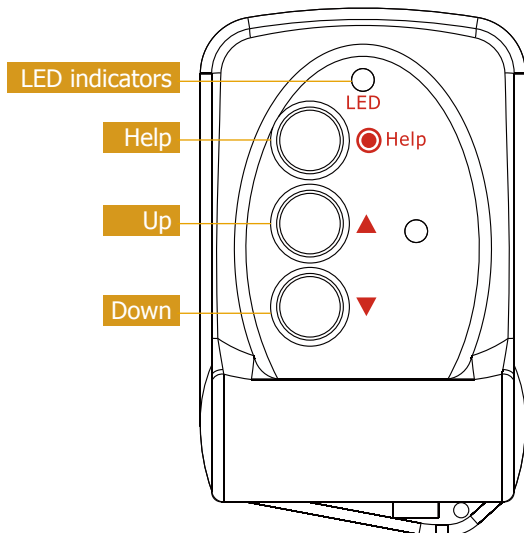
### Introduction

WLS-T01 is a 2.4GHz wireless transmitter (called Tag) by battery supported, it can broadcast automatically 2.4GHz wireless Locating packages to WLS-R01. WLS-T01's wireless frequency use ISM 2.4GHz global common frequency band total have 16 channels, the range of 16 channels are 2.405GHz to 2.48GHz, it can separated into 5MHz segments, and WLS-T01 supports 16 sectors of RF power setting. The user can use the button to adjust the above settings.

In addition, WLS-T01 supports help button, low battery power indicator, and built in Node ID, 3dBi directional PCB antenna and other user-friendly design can effectively reducing the size for the user to carry it. The user can also send a distress signal in an emergency situation, and let people know his relative position to support him.

The wireless transmission range (line of sight, LOS) of WLS-T01 is 100 meters, and WLS-T01 uses low power consumption design architecture, when the user installs a CR-123A battery (3.0 VDC) and the wireless transmission interval is 3 seconds, operating temperature in +20°C to +60°C, the use of time can be up to 2 years, if battery will low power, the user can change the new battery by himself, so WLS-T01 very suitable for use in item tracking, personnel movements in hazardous areas, factory regional management and other applications.

### Appearance



### Features

- Supports the button help function
- Supports 16 segments setting of RF channels
- Supports 16 segments setting of RF power
- Built in battery low power LED indicator
- Built in 2.4GHz 3dBi PCB directional antenna
- ISM 2.4GHz operating frequency
- Direct Sequence Spread Spectrum (DSSS) RF technology
- Wireless transmission range up to 100 m (Line of Sight)
- Low power consumption design  
(1 pcs CR123A battery, when operating temperature from +20°C~+60°C, it can be used 2 years)

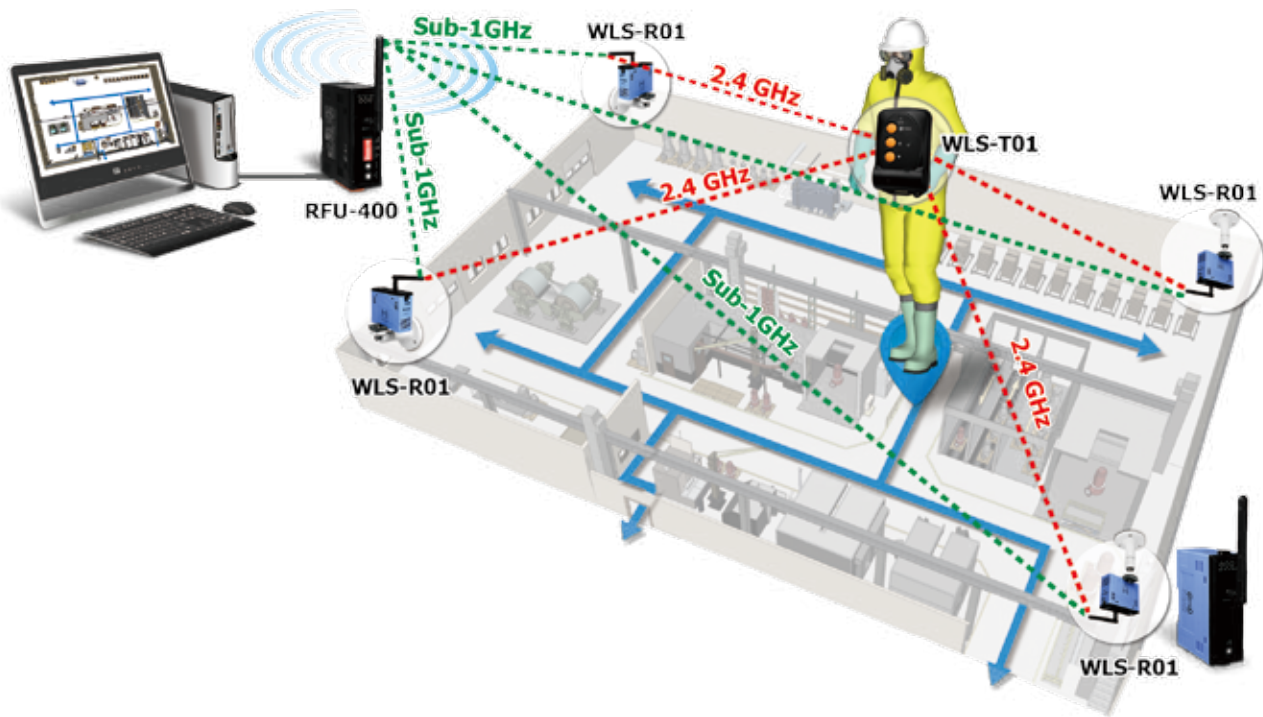


### Specifications

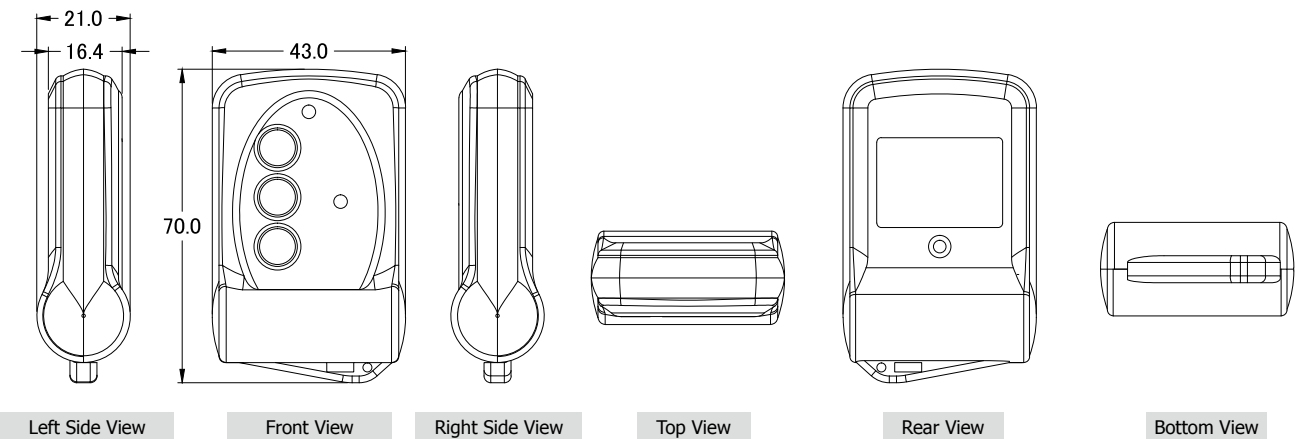
Wireless	
Modulation	OQPSK (Offset Quadrature Phase-shift Keying)
Spread Spectrum	DSSS (Direct-Sequence Spread Spectrum)
RF Channels	16
Transmission Power	16±1dBm (Default) / 17dBm (Max.)
Wireless frequency	2.4GHz
Antenna	2.4GHz-3dBi PCB Directional Antenna
Transmission Range (Line of Sight, LOS)	100 m (Typical)
LED Indicators	
Pressing the button	1 LED, Green
Help / Low battery power	1 LED, Red
EMS Protection	
ESD	±4 kV Contact for Screw
EFT (IEC 61000-4-4)	±4 kV for Power
Power	
Required Supply Voltage	+2.6 VDC ~ +3.6 Vdc
Battery Input	1 x CR123A (3.0 Vdc)
Power Consumption	166uW@3VDC / 1.33mAh@1 Day (3 second Tx Interval)
Mechanical	
Dimensions (L x W x H, mm)	70mm x 43mm x 21mm
Installation	Hook
Environment	
Operating Temperature	-25 ~ +75°C (No battery included) -25 ~ +60°C (Battery included)
Storage Temperature	-30 ~ +80°C (No battery included) -20 ~ +45°C (Battery included)
Relative Humidity	10 ~ 90% RH (Non-condensing, No battery included) 20 ~ 65% RH (Non-condensing, Battery included)



**Applications**



**Dimensions (Units: mm)**



**Ordering Information**

<b>WLS-T01 CR</b>	Wireless Locating System Transmitter (RoHs)
Important Note: The transmitter of wireless locating system be used together with the receiver and the converter, please refer to WLS-R01 and RFU-400.	

**Accessories**

WLS-R01 CR	Wireless Locating System Receiver (RoHs)
RFU-400 CR	RS-232 / RS-485 to 429 MHz Radio Modem (RoHS)
Lithium batteries (CR123A)	Voltage 3.0V, Capacity 1700mAh (Disposable non-rechargeable lithium battery)