

CFast D150Q



FEATURES

- Support static wear leveling algorithm
- S.M.A.R.T. & i-S.M.A.R.T. Supported
- Intelligent system for error recovery
- Excellent data transfer speed
- Compliant with CFast 1.0 standard

R:130MB/s
W:120MB/s

S.M.A.R.T

Thermal
sensor

PIO 0~4
Support

CFast
TYPE-I

SATA II
3Gb/s

Specifications

Connector Type	CFast 1.0 standard
Flash Type	SLC (Single Level Cell)
Density	2GB, 4GB, 8GB, 16GB, 32GB, 64GB
Transfer Mode	SATA II, SATA I, PIO 0~4, MDMA 0~2, UDMA 0~6
Sustained R/W Performance	Read : 130MB/sec (max.) Write : 120MB/sec (max.)

Environmental

DC Input	+3.3V DC \pm 5%
Power consumption (Max.)	Read: 200 mA Write: 230 mA Idle: 140 mA
Operating Temperature	0°C~+70°C (Standard Grade) -40~+85°C (Industrial Grade)
Storage Temperature	-55°C~+95°C
Humidity	Relative Humidity: 10-95%, non-condensing
MTBF	> 3,000,000 hours
Certification	CE, FCC, RoHS
Warranty	5 years

Mechanicals

Dimension (W x L x H)	42.8mm x 36.4mm x 3.6mm
Weight	10g \pm 1g
Vibration	7 Hz to 2K Hz, 3 axes
Shock	Duration: 0.5ms, 1500G, 3 axes

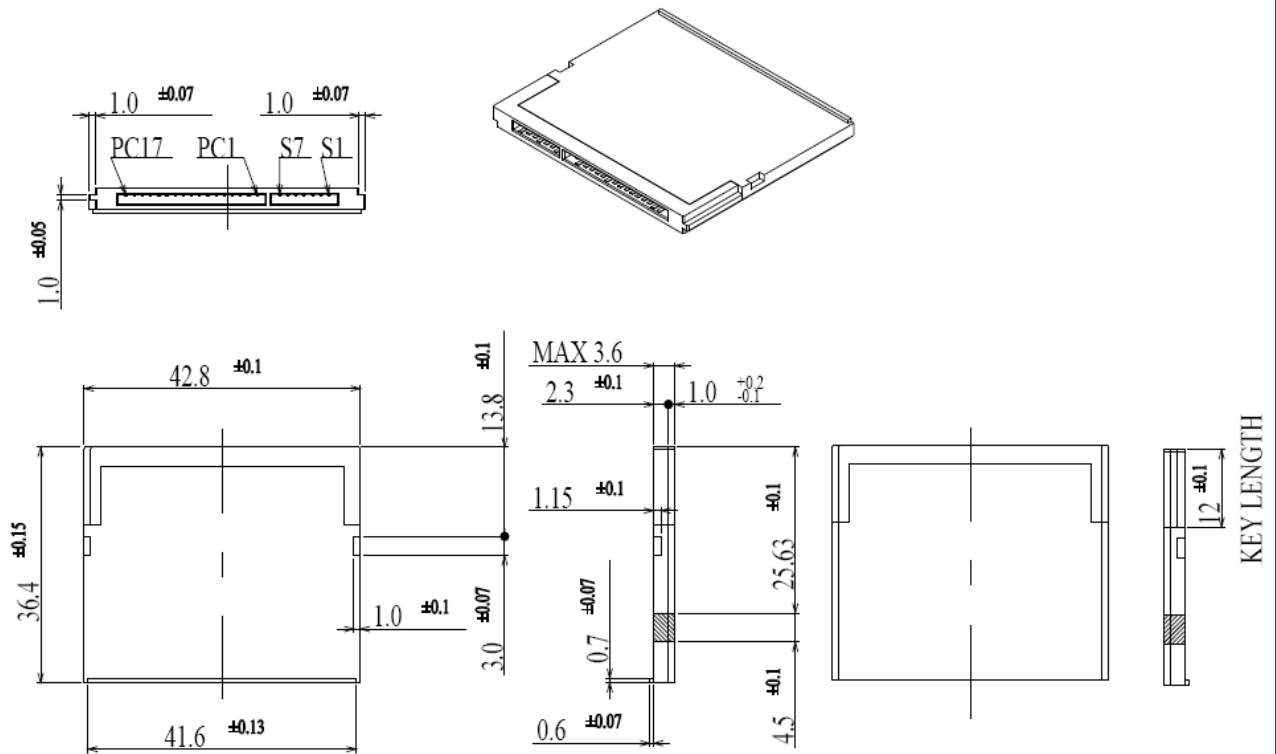
Health monitoring Tool

S.M.A.R.T.	Supported
i-S.M.A.R.T.	Supported (Utility for Windows, Linux)

Ordering Information

Capacity	Standard Grade	Industry Grade
2GB	DC1T- 02GJ30AC2QB	DC1T- 02GJ30AW2QB
4GB	DC1T- 04GJ30AC2QB	DC1T- 04GJ30AW2QB
8GB	DC1T- 08GJ30AC2QB	DC1T- 08GJ30AW2QB
16GB	DC1T- 16GJ30AC2QB	DC1T- 16GJ30AW2QB
32GB	DC1T- 32GJ30AC2QB	DC1T- 32GJ30AW2QB
64GB	DC1T- 64GJ30AC2QB	DC1T- 64GJ30AW2QB

Mechanical Dimension



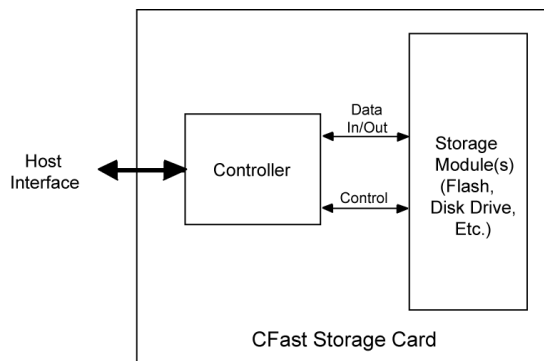
General Description

CFAST is a small form factor card standard that encompasses CFAST semiconductor (Flash) data storage cards and magnetic disk cards.

The CFAST card provides high capacity data storage that electrically complies with the Serial ATA International Organization standard. The CFAST card uses the same commands, but implements additional control signals on the power connector to manage activity LED, write protect and power down/up of the SATA PHY.

CFAST Storage Card

The CFAST Storage Card contains a single chip controller and flash memory module(s) in a matchbook-sized package with a 7+17-pin connector consisting of a SATA compatible 7 pin signal connector and a 17 pin power and control connector. The controller interfaces with a host system allowing data to be written to and read from the flash memory module(s).



CFAST Storage Card Block Diagram