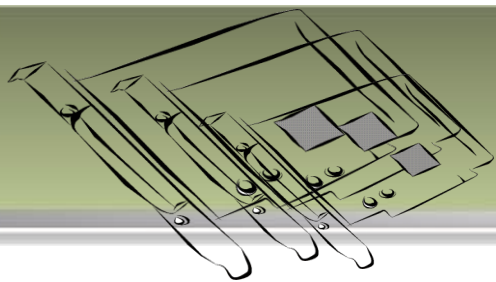


# I/O CARD QUICK START GUIDE

## For PCI-2602U

English/ Jul. 2014/ Version 1.0



## 1 What's in the shipping package?

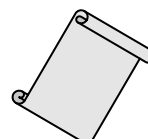
The package includes the following items:



PCI-2602U



Software CD  
(V6.0 or later)



Quick Start Guide  
(This Document)

## 2 Front View



1. **CON1:** Female SCSI II 68-pin.
2. **SW1:** Card ID function.
3. **Universal PCI Bus:** Supports both +5 V and +3.3 V PCI bus.

# 3 Installing Windows Driver

**Step 1: Setup the UniDAQ driver under Windows XP. The driver is located at:**

- The UniDAQ driver supports 32-/64-bit Windows 2K/XP/2003/Vista/7/8:  
CD: \NAPDOS\PCI\UniDAQ\DLL\Driver  
<http://ftp.icpdas.com/pub/cd/iocard/pci/napdos/pci/unidaq/dll/driver/>

**Step 2: Click the "Next>" button to start the installation.**

**Step 3: Check your DAQ Card is or not on supported list, then click the "Next>" button.**

**Step 4: Select the installed folder, the default path is C:\ICPDAS\UniDAQ , confirm and click the "Next>" button.**

**Step 5: Check your DAQ Card on list, then click the "Next>" button.**

**Step 6: Click the "Next>" button on the **Select Additional Tasks** window.**

**Step 7: Click the "Next>" button on the **Download Information** window.**

**Step 8: Select "No, I will restart my computer later" and then click the "Finish" button.**

# 4 Installing Hardware on PC

**Step 1: Shut down and power off your computer.**

**Step 2: Remove the cover from the computer.**

**Step 3: Select an unused PCI slot.**

**Step 4: Carefully insert your I/O card into the PCI slot.**

**Step 5: Replace the PC cover.**

**Step 6: Power on the computer.**

**After powering-on the computer, please finish the Plug&Play steps according to the prompted messages.**

# 5

## Pin Assignments

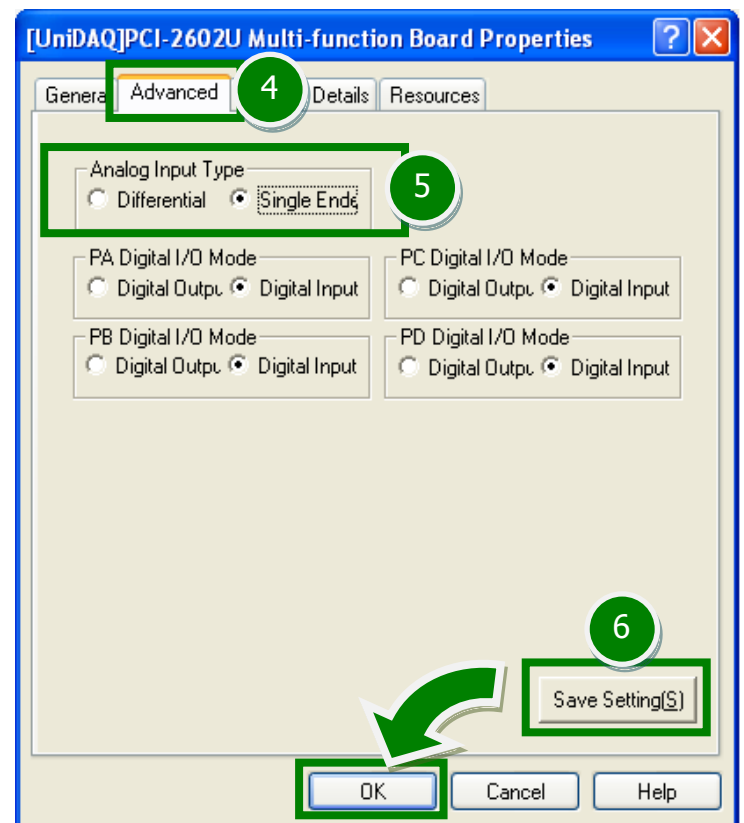
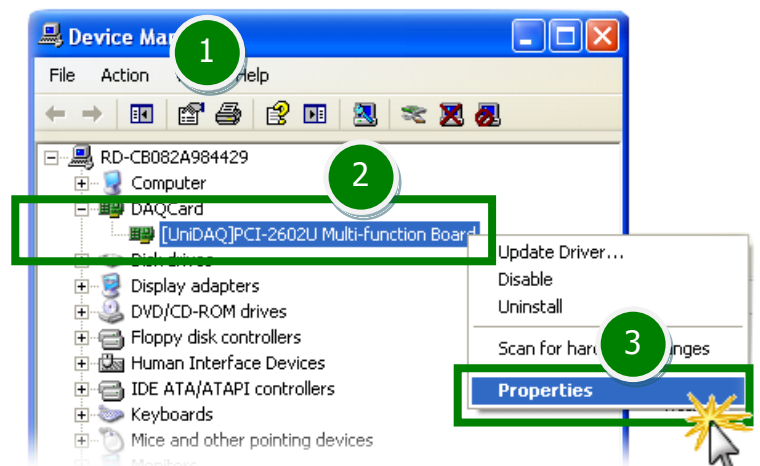
Pin Assignment		Terminal No.		Pin Assignment	
+5V (Output)		01	35	+12V (Output)	
Ext_TRG		02	36	Cnt0_GATE	
Trg_GATE		03	37	Cnt0_OUT	
Pacer_OUT		04	38	Cnt0_CLK	
D_GND		05	39	D_GND	
PD7		06	40	PD6	
PD5		07	41	PD4	
PD3		08	42	PD2	
PD1		09	43	PD0	
PC7		10	44	PC6	
PC5		11	45	PC4	
PC3		12	46	PC2	
PC1		13	47	PC0	
D_GND		14	48	D_GND	
PB7		15	49	PB6	
PB5		16	50	PB4	
PB3		17	51	PB2	
PB1		18	52	PB0	
PA7		19	53	PA6	
PA5		20	54	PA4	
PA3		21	55	PA2	
PA1		22	56	PA0	
AO_GND		23	57	AO_GND	
AO1_OUT		24	58	AO0_OUT	
AO1_REF		25	59	AO0_REF	
AI_GND		26	60	AI_GND	
AI15	AI7-	27	61	AI14	AI7+
AI13	AI6-	28	62	AI12	AI6+
AI11	AI5-	29	63	AI10	AI5+
AI9	AI4-	30	64	AI8	AI4+
AI7	AI3-	31	65	AI6	AI3+
AI5	AI2-	32	66	AI4	AI2+
AI3	AI1-	33	67	AI2	AI1+
AI1	AI0-	34	68	AI0	AI0+
S.E.	Diff.			S.E.	Diff.

Female SCSI 68-pin (CON1)

# 6 Advanced Configuration

Before beginning the "Self-test", use the advanced configuration tool in the Windows Device Manager to settings the Analog Input type and Digital I/O Ports, the detail configuration is illustrated in the figure below.

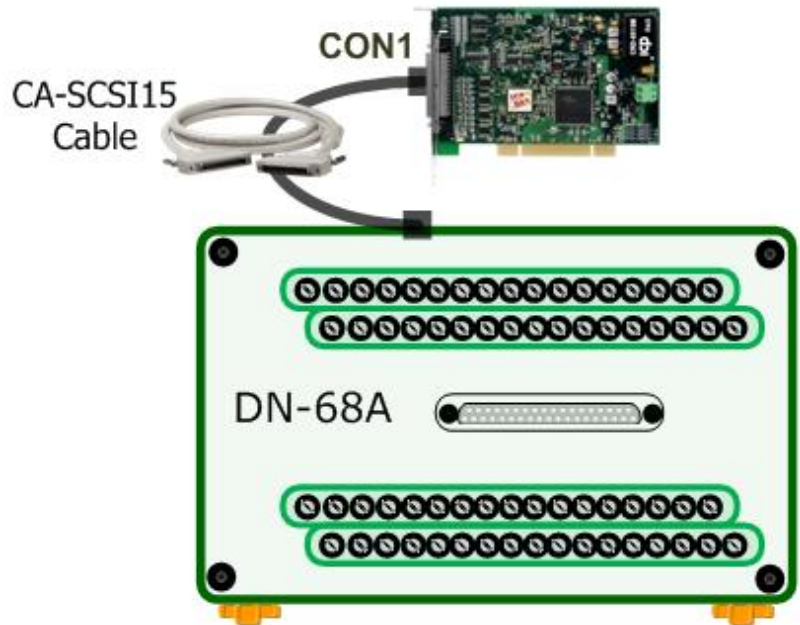
1. Open the Windows **Device Manager** to verify the PCI-2602U card is listed correctly.
2. **Right-click** on the name of the PCI-2602U card.
3. Select the **"Properties"** item from the popup menu and the "[UinDAQ]PCI-2602U Multi-function board Properties" dialog box will be displayed.
4. Click the **"Advanced"** tab to open the advanced configuration tool.
5. In the Analog Input Type section, select the **"Single Ended"** options for execute a self-test.
6. Click the **"Save Setting(S)"** button and **"OK"** button to complete the configuration.



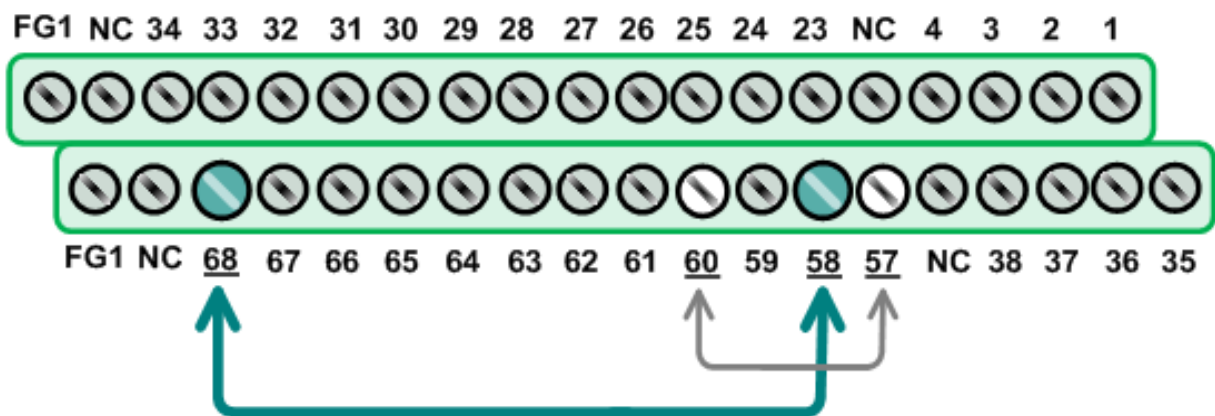
# 7 Self-Test

## ■ Analog Input/Output Test Wiring:

1. Use DN-68A (optional) to connect the CON1 on the PCI-2602U card.

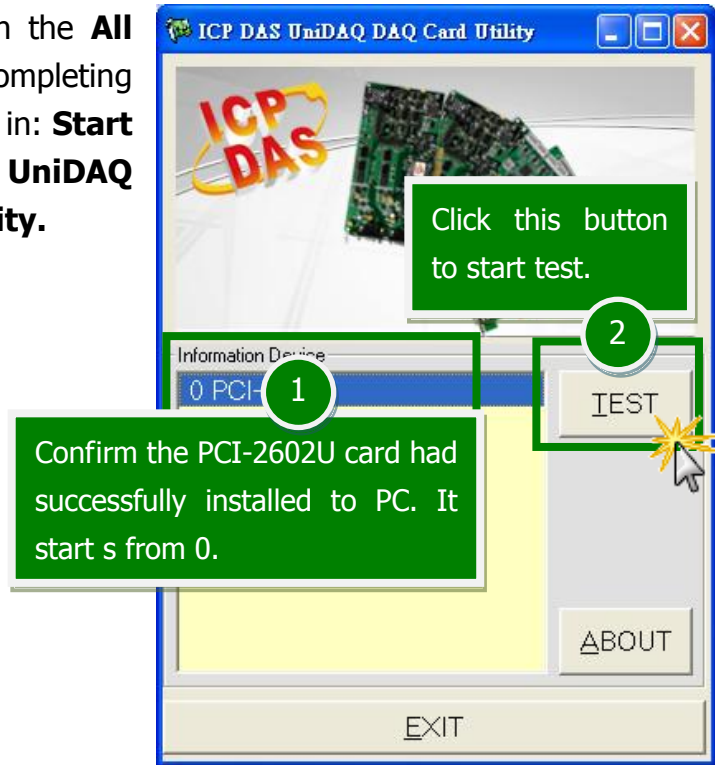


2. Keep set the A/D input type to Single-Ended (page 4), and then connect the AO0 Out (Pin58) to AI0 (Pin68), and connect the AI GND (Pin60) to AO GND (Pin57).

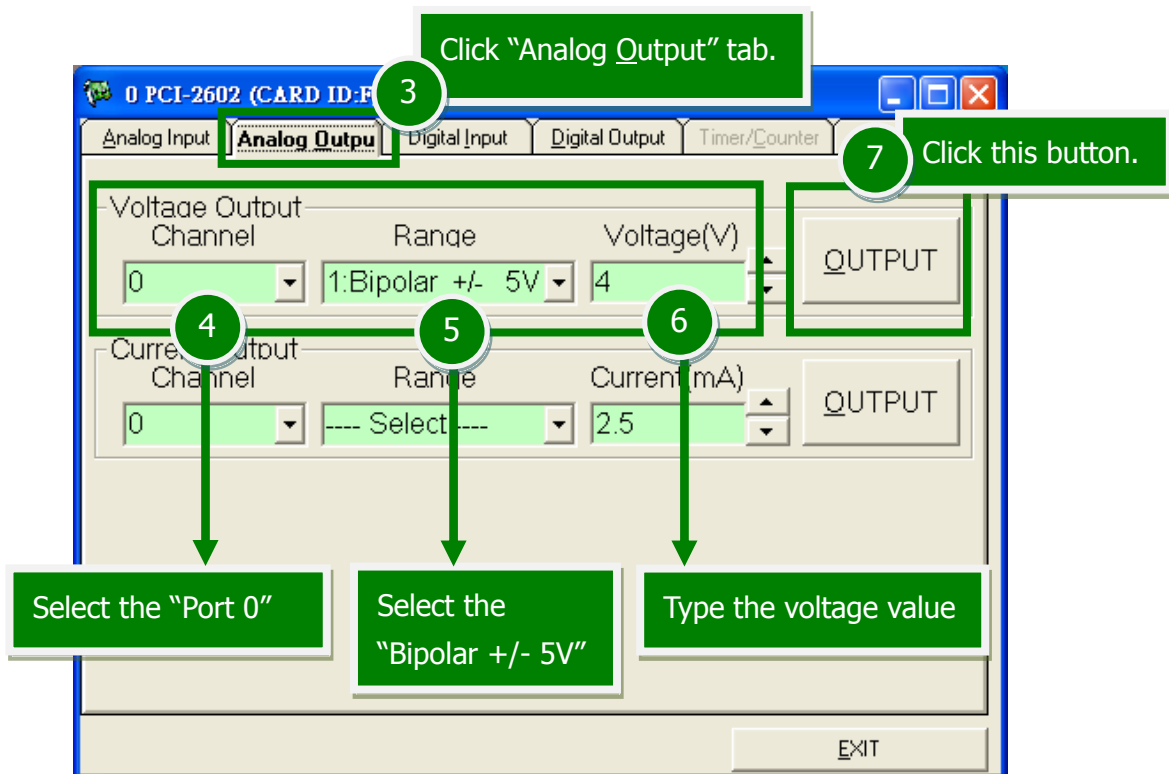


■ **Execute the UniDAQ Utility Program.**

The UniDAQ Utility will be placed in the **All Programs** of **Start** menu after completing installation. The detail path is located in: **Start** → **All Programs** → **ICPDAS** → **UniDAQ Development Kits** → **UniDAQ Utility**.



■ **Get A/D and D/A functions test result.**



Click "Analog Input" tab.

8

Check analog input on Channel 0 textbox. The other channels value for floating number.

11

PASS

9

10

Confirm the configuration setting.

Click this button.

Ch	Voltage(V)	Ch	Voltage(V)
0	3.99918	10	4.11201
1	4.11201	11	3.9076
2	3.9076	12	4.07857
3	4.07857	13	3.94605
4	3.94605	14	4.10326
5	4.10326	15	4.062
6	4.062		4.18703
7	4.18703		3.98637
			4.13014
			4.03012
			4.12108

Setting  
Card Type: 0:Low(JPx=20V) Gain  HEX  
Range: 00:Bipolar +/- 10V Sample Rate: 100 Hz

Setting  
Card Type: 0:Low(JPx=20V) Gain  HEX  
Range: 00:Bipolar +/- 10V Sample Rate: 100 Hz

## 8 Related Information

- PCI-2602U Card Product Page:  
[http://www.icpdas.com/root/product/solutions/pc\\_based\\_io\\_board/pci/pci-2602u.html](http://www.icpdas.com/root/product/solutions/pc_based_io_board/pci/pci-2602u.html)
- DN-68A page (optional):  
[http://www.icpdas.com/root/product/solutions/pc\\_based\\_io\\_board/daughter\\_boards/dn-68a.html](http://www.icpdas.com/root/product/solutions/pc_based_io_board/daughter_boards/dn-68a.html)
- Documentation and Software:  
CD:\NAPDOS\PCI\UniDAQ\  
<http://ftp.icpdas.com/pub/cd/iocard/pci/napdos/pci/unidaq/>