



ECAT-2016N Quick Start

v1.0, Nov. 2019

What's in the box?

The package includes the following items:



ECAT-2016N Module x 1

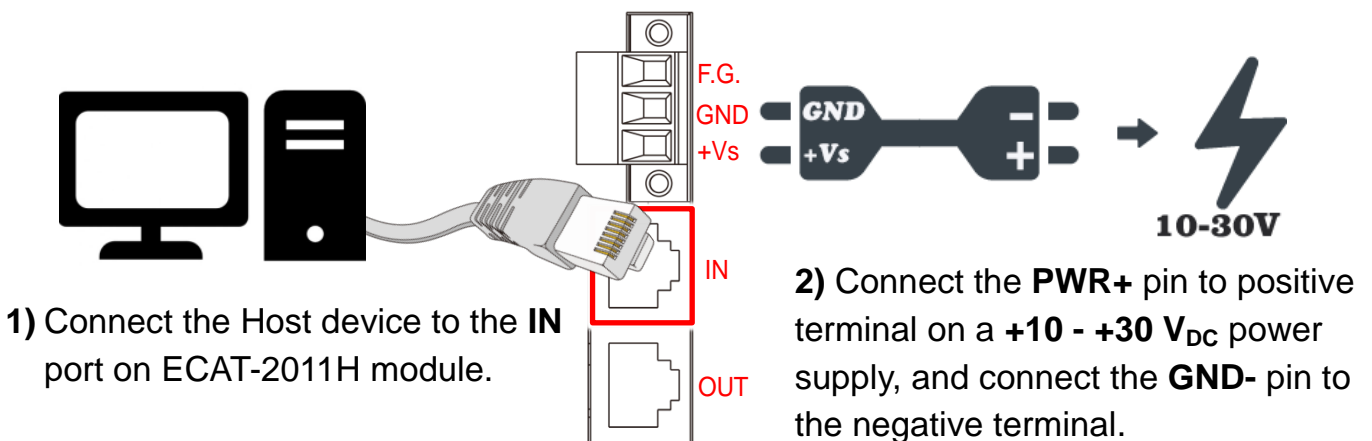


Quick Start x1 (This Document)

1 Connecting the Power and Host PC

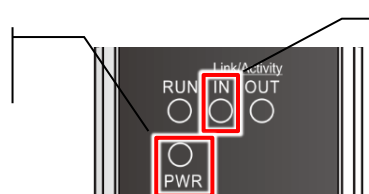
➤ Switch on module and connect it to an EtherCAT network

⚠ NOTE: Attaching an ESC directly to an office network will result in network flooding, since the ESC will reflect any frame – especially broadcast frames – back into the network (broadcast storm).



➤ Verify that LEDs indicator

Red, OK



Green, OK



2 Search Modules



ESI file

The latest ESI file (**ICPDAS ECAT-2016.xml**) can be downloaded from ICP DAS website at

 http://ftp.icpdas.com/pub/cd/fieldbus_cd/ethercat/slave/ecat-2000/software/

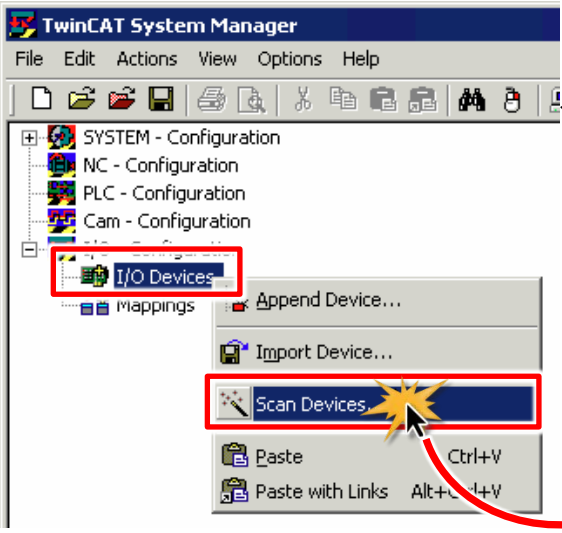
Install the ESI file

Copy the “**ICPDAS ECAT-2016.xml**” file to the Master Tools installation folder, as indicated in the table below.

Software	Default Path
Beckhoff EtherCAT Configuration	C:\EtherCAT Configurator\EtherCAT
Beckhoff TwinCAT 3.X	C:\TwinCAT\3.x\Config\Io\EtherCAT
Beckhoff TwinCAT 2.X	C:\TwinCAT\Io\EtherCAT

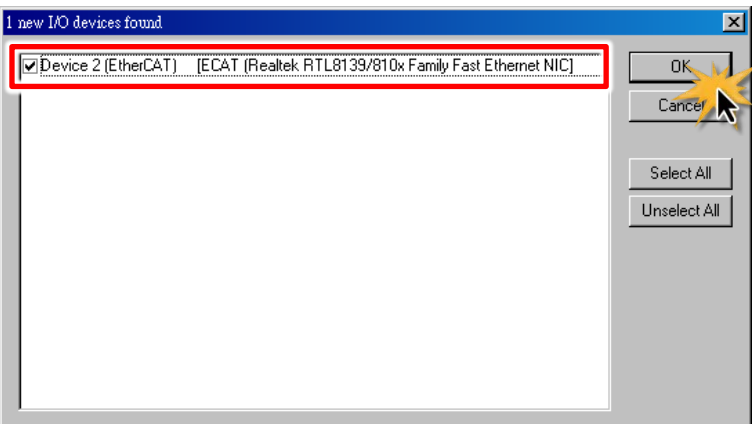
Run the EtherCAT Master software (Beckhoff TwinCAT 2.X)

Switch on power and execute the TwinCAT System Manager (Config mode)

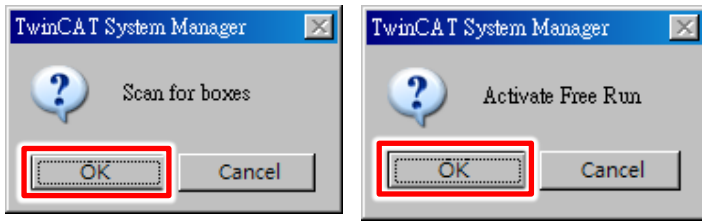


1. I/O Devices → Right click → Scan Devices...

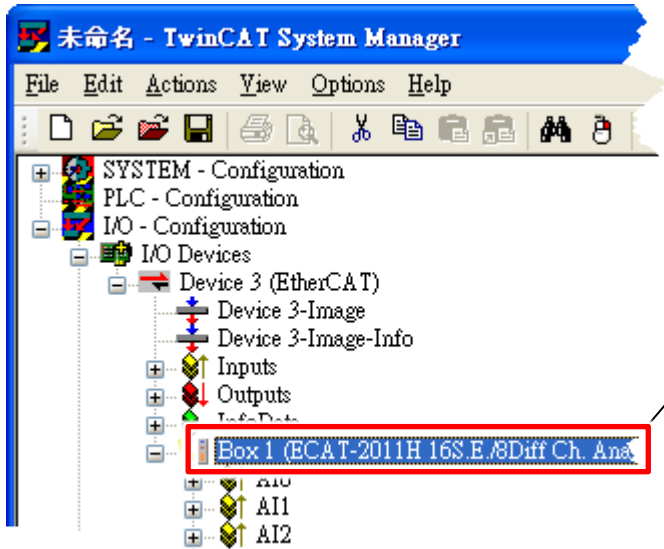
2. Click “OK” button



3. Choose the correct network device which is connected to ECAT-2016N and click “OK” button



4. Click “OK” to start scanning
Click “OK” to activate the free run mode for TwinCAT system manager

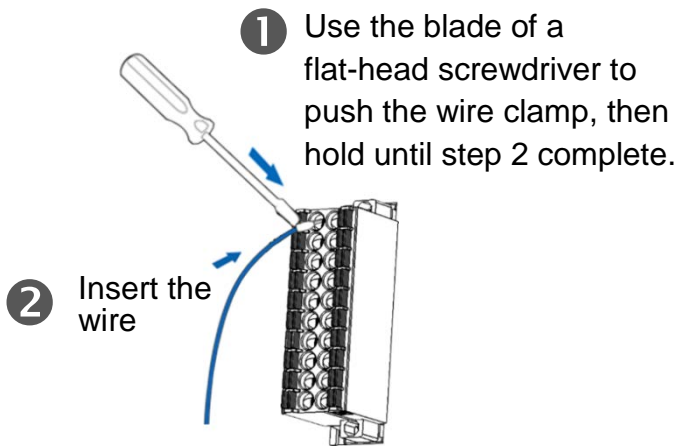


5. In the left-hand window, **ECAT-2016N** is now shown in the TwinCAT system Manager

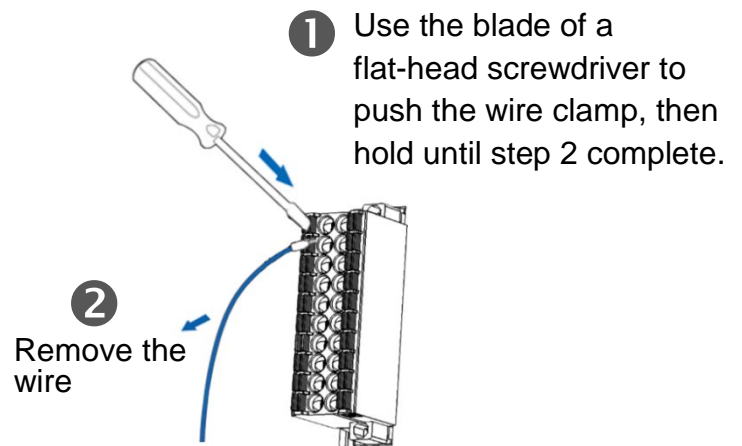
3 Wiring to the Connector

➤ Wiring Tip

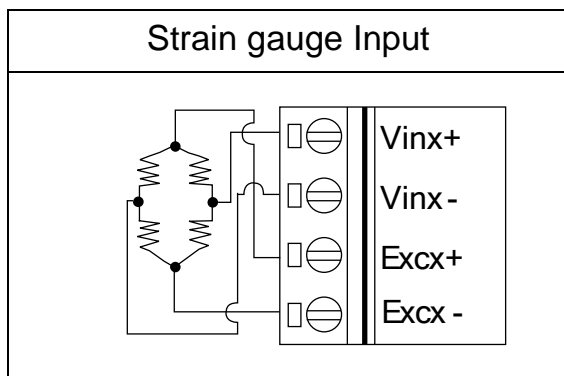
Connecting the wire



Removing the wire

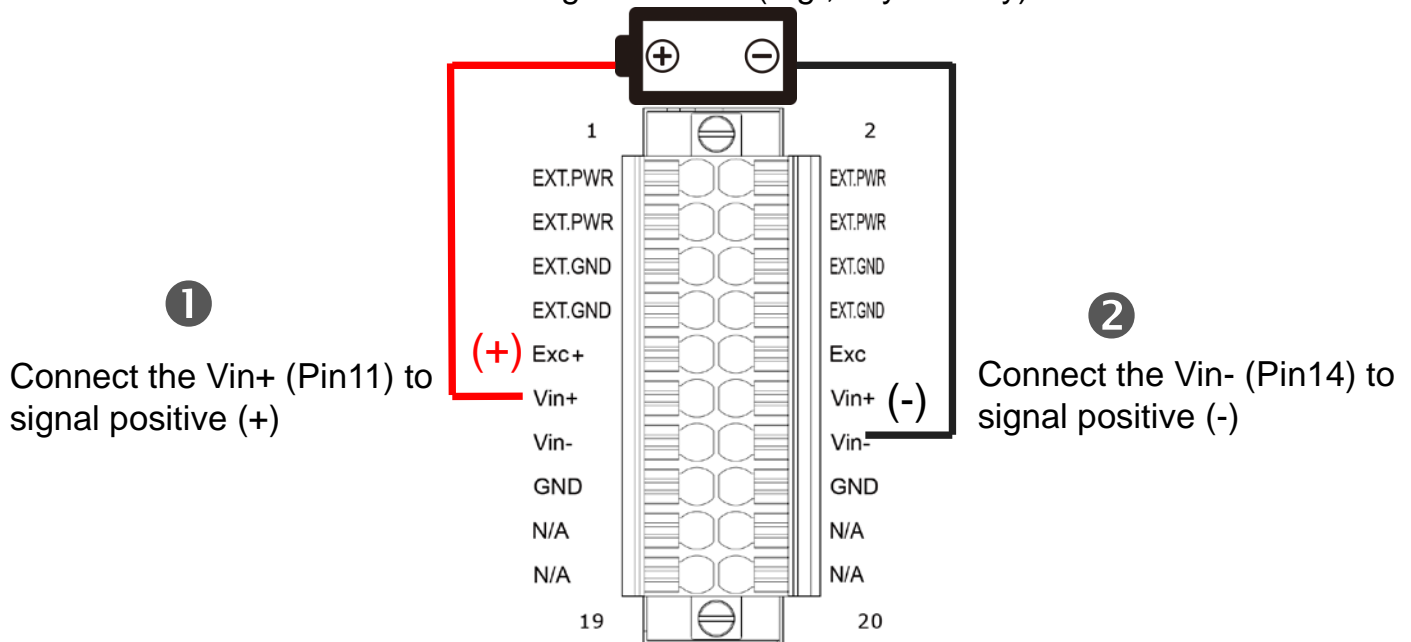


➤ Wire Diagrams



➤ **Wiring the AI0 (Analog Input type default is Differential input)**

Stable Signal Source (e.g., Dry Battery)



➤ **Verifying the Strain gauge Functionality**

Name	Online	Type	Size
↑ Status	0x8000 (32768)	Status_4096	2.0
↑ Value	0x0D2E <1.030>	INT	2.0

1. Click "AI0" in the left-hand window.

2. In the right-hand window, check the voltage value in the "Value" item.

Related Information

- EtherCAT Series Product Page:

http://www.icpdas.com/root/product/solutions/industrial_communication/fieldbus/ethercat/ethercat_selection_guide.html

- Documentation & Software:

http://ftp.icpdas.com/pub/cd/fieldbus_cd/ethercat/slave/ecat-2000/