

IS-DG103P-2-PD Series

Rugged Industrial 3-port 3 in 1 PoE Injector, w/ PoE PD, PoE PSE, and PoE Splitter



The IS-DG103P-2-PD Series are rugged designed, high power, Gigabit Ethernet industrial PoE Injector which meets IEEE 802.3af/at standard with 15.4/30/36 Watts output and up to 57 Watts high power output (PSB port). The IS-DG103P-2-PD Series are especially good for your security system application. The special cold design technology will not only power up your PD device, but also reduce the excessive heat problem to a minimum. The IS-DG103P-2-PD Series accept the input voltage from 12 to 58 VDC and have been rigorously tested for your Security, Transportation and all the other Industrial applications.

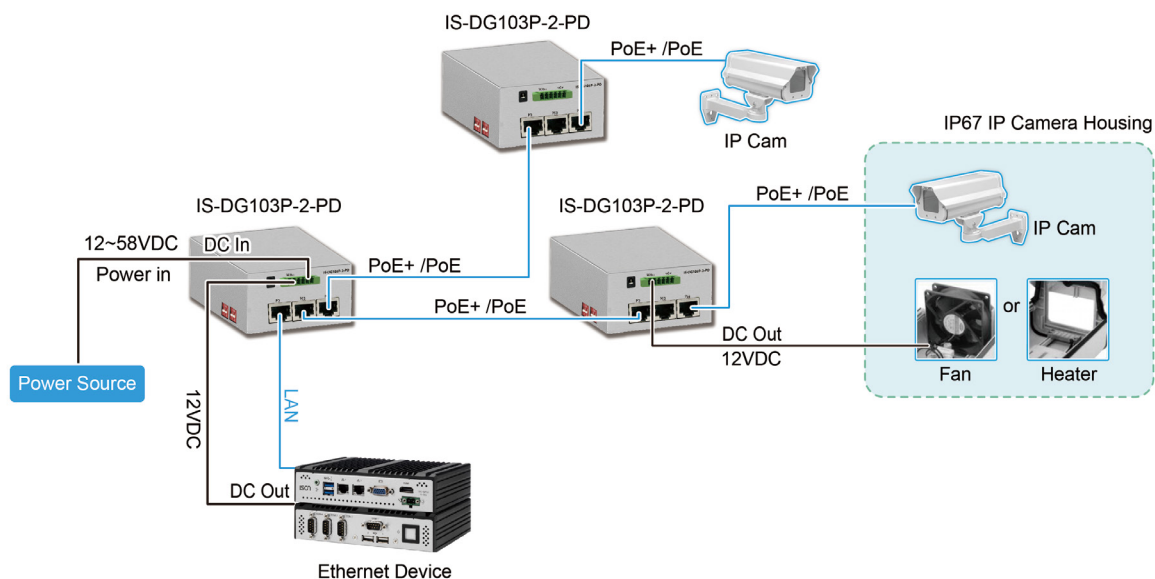


Key features

- ▶ Support Power-Chain feature for Daisy Chain PD/PSE data and power transmission
- ▶ Support Power-Star feature for PD/PSE data and power transmission
- ▶ Support PSE Plus+ Dual power Output function for different kind of devices connection
- ▶ IEEE 802.3af/at-compliant PoE PD equipment (up to Ultra PoE 60 Watts input)
- ▶ 1 Giga PoE PD port, and 2 Giga PoE PSE port, (IEEE802.3af/at, up to 57 Watts)
- ▶ Build-in PoE Splitter, 12VDC, max.2A output
- ▶ PoE support up to 57 Watts outputs
- ▶ Layer 2 Line-Speed Switching Fabric, non-blocking
- ▶ Rugged design, compact enclosure
- ▶ Overload current protection
- ▶ Reverse power protection
- ▶ Provides increased noise immunity
- ▶ -40°C to 75°C operating temperature

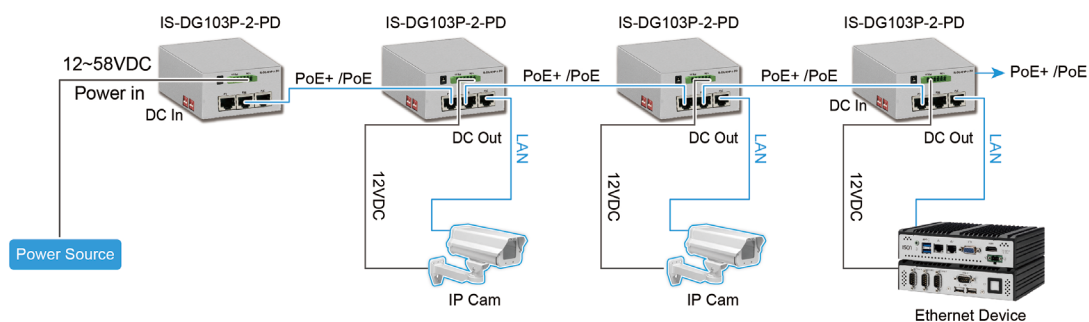
Power Star

*Share Power Budget 60W



Power Chain

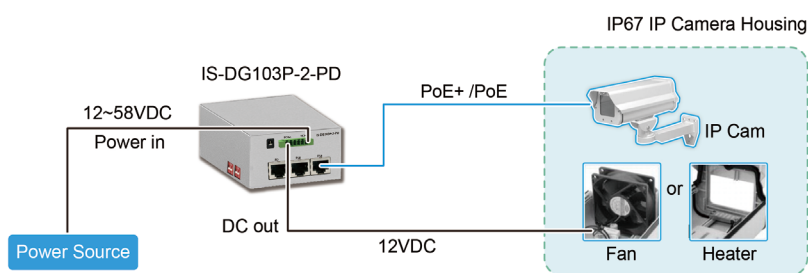
*Share Power Budget 60W



PSE Plus⁺

*Share Power Budget 60W

IP Cam + Heater / Fan



Specification

Ethernet

Operating Mode	Store and Forward, L2 wire-speed/non-blocking switching engine
MAC addresses	1K
Packet Buffer	1 Mbits
Jumbo frame	9K
Backplane / Switching Fabric	6Gbps

RJ45 Copper ports

Speed	10/100/1000 Mbps
MDI/MDIX Auto-crossover	Support straight or cross wired cables
Auto-negotiation/Duplex	10/100/1000 Mbps speed auto-negotiation; Full & Half Duplex

PoE Ports

Output Power	IEEE 802.3af/at, 15.4/30/36/57 Watts output
--------------	---

Power

Power Input	3 Ways Power Input, DC Input with Terminal Block or DC Jack, or PoE Input (up to Ultra PoE, 60W)
Input Voltage Range	12-58 VDC(supplied by power adapter) or 56 VDC (supplied by Ultra PoE)
Power Output (PoE Splitter)	12VDC, max.2A, Terminal Block
Reserve power protection	YES
Power Consumption	3W, *3 watts power loss in 100m ethernet cable

Indicators

Power status indication	Power Input status
Ethernet port indication	Link & speed

Environmental and Compliances

Operating Temperature	-40~75°C (Cold startup at -40°C)
Storage Temperature	-40~85°C

Humidity	5~95% (Non-Condensing)
Vibration, shock, free fall	IEC-60068-2-6, -27, -32
Certification Compliance	CE, FCC
Electrical safety	CE
EMC	FCC Part 15, CISPR 22 (EN55022) Class A IEC-61000-4-2, -3, -4, -5, -6 (Level 3)
RoHS & WEEE	RoHS (Pb free) and WEEE Compliant
MTBF	>25 years

Mechanical

Protection	IP30
Dimension	TBD
Weight	TBD
Installation	DIN-Rail mounting; Wall mounting

Dimension Diagram

TBD

Ordering Information

Available Models	Description	10/100/1000Mb PoE PD	10/100/1000Mb PoE PSB	10/100/1000Mb PoE PSE
IS-DG103P-2-PD	Industrial 3 ports Gigabit Layer 2 PoE injector, 60Watt Ultra PoE PD, PoE PSE, PoE Splitter	1	1	1

Accessories

1. IS-RK2U 19" rack mount kit
2. IS-RK4U 19" rack mount kit

Package Checklist

- IS-DG103P-2-PD PoE Injector
- Quick Installation Guide (Printed)
- Wall mount kit /Din-Rail kit