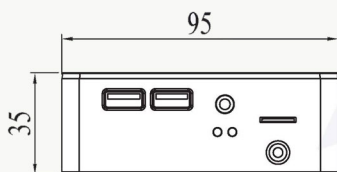
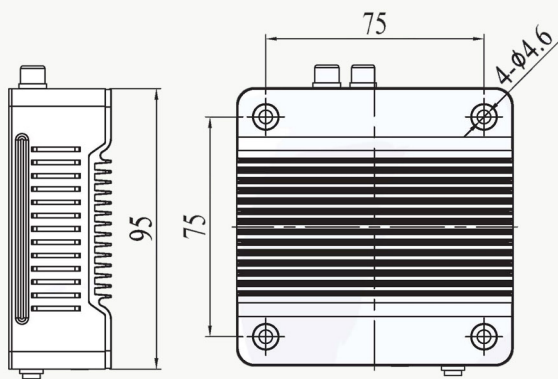
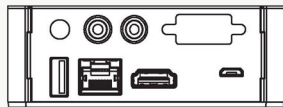


EBOX-3350DX3-RCA Series

No Music No Life

x86 platform Small form factor Fanless PC
DM&P Vortex86DX3 Dual Core SoC memory up to 2GB DDR3
Equipped Micro SD slot, mPCIe and RCA Jack
Designed and enhanced with hardware isolation for music playback.



Features

- DM&P® Vortex86DX3 Dual Core 1.0GHz SoC
- RCA Jack enhanced with isolation
- Fanless, 75 x 75mm VESA support
- Standard mPCIe slot support
- Auto Power On support

EBOX-3350DX3-RCA Series

System Specifications

Model Type	EBOX-335xDX3-RCA/EBOX-335xDX3-RCA-AP EBOX-335xDX3-RCAV/EBOX-335xDX3-RCAV-AP	
Processor	DM&P 32-bit x86 Dual Core Vortex86DX3 1.0GHz SoC	
BIOS	AMI BIOS	
Memory	Onboard 1GB DDR3 (3350DX3)/Onboard 2GB DDR3 (3352DX3)	
Storage	SATA	Gen 1 x1 (1.5Gb/S). 7PIN
	Micro SD	Micro SD Slot x1 (Micro SD, SDHC)
Display	HDMI V1.4 (MAX. 1920 × 1080@60Hz), VGA (Optional) Integrated Graphics Chip/D-Sub 15-pin (1920 x 1080 pixels)	
USB	USB V2.0 x3 (Front x2 + Rear x1)	
HD Audio	Realtek ALC262VD Mic-in & Line-out	
	RCA Connectors (Isolation) designed for Music Playback	
Ethernet	10/100 Mbps LAN x1 (RJ-45 connector, Built-in PXE diskless boot)	
Extension I/F	Standard Mini PCIe x1 for WiFi/BT Module use (USB Signal not support)	
Power	DC +5V/1.5A	
Dimension	95 x 95 x 35mm/VESA 75 x 75mm Support	
Auto Power On	Support	
Net Weight	350g	
Operation Temp.	0~60°C/-20~+60°C	
Certifications	CE, FCC, VCCI	
OS support	WES7, Linux	

Model Type	DRAM	CPU	—	RCA	Display	—	Auto Power On
EB-335	0: 1GB 2: 2GB	DX3: Vortex86DX3	—	RCA: RCA Jack	V: VGA None HDMI	—	AP: Support None Not support