



## Features

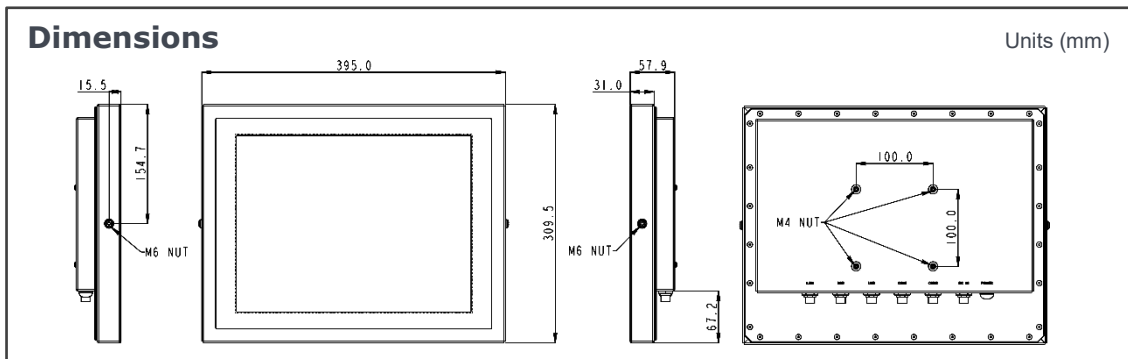
- 15" Intel® Elkhart Lake J6412 Fanless Stainless Panel PC
- Support Win10 / Win11
- IP66/67/69K Full Sealed Enclosure
- 100% Waterproof Guarantee
- Brightness Control by OS
- Optional IP67 M12 Stainless Connectors
- Optional Cable Gland for External I.O.
- Customization Floor Stand Kits
- CE, FCC, VCCI Class B Certified

## Specification

| Product                    |  | WTP-8J66-15   |   |
|----------------------------|--|---|---|
| Main System                | CPU  | Intel® Elkhart Lake SoC Processors J6412, QC, 2.0~2.60 GHz, 10W   |   |
|                            | Graphic  | Intel® Gen 11 UHD Graphics  |   |
|                            | Memory   | Dual channel support 3200MHz DDR4 SODIMM socketx2, up to 32GB   |   |
|                            | OS Support   | Win 10 / Win 11 (Option)  |   |
| Display                    | Size   | 15" 4:3   |   |
|                            | Resolution (pixel)                                 | 1024 x 768 (XGA)  |   |
|                            | Number of Colors                                   | 16.2M colors  |   |
|                            | View Angle (H/V)                                   | 160(H) / 150(V)   |   |
|                            | Brightness (cd/m <sup>2</sup> , nit)               | 350   |   |
|                            | Contrast Ratio                                     | 800: 1 (Typ)  |   |
| Touch Panel                | Type   | Full flat resistive touch panel   | Full flat p-cap touch                               |
|                            | Light Transmission                                 | 80 ± 5%   | ≥ 86%   |
|                            | Hardness   | ≥ 3H  | ≥ 7H  |
|                            | Lifetime   | 35M hours   | 100M times  |
| Storage & Expansion        | Storage  | 1 x 2.5" SATA HDD drive bay<br>1 x M.2 (M Key 2242/2260/2280) SATA3 & PCIe for SSD  |   |
|                            | Expansion  | 1 x PCIe x1 Gen3<br>1 x M.2 (E key 2230) w/PCIe x1 and shared USB2.0 for wireless,<br>1 x M.2 (B key, 3042/3052) with PCIe x1/USB 3.2/USB2.0 SIM for 4G/5G<br>1 x SIM socket connected to M.2 key B |   |
| I/O Ports                  | Configuration                                      | STD. (M12 Connector)  | Cable Gland (Max. 5 external I/O by proper grommet) |
|                            | USB  | 1 x M12 8pin for USB 1/2 (USB2.0)<br>1 x M12 8pin for USB 3/4 (USB2.0)  | 2 x USB 3.2 (Gen1)<br>2 x USB2.0                    |
|                            | COM  | 2 x M12 8pin/ RS232   | RS232/RS422/RS485 x 2                               |
|                            | LAN  | 1 x M12 8pin for LAN (2.5 Gigabit)  | 1 x 1 Gigabit LAN<br>1 x 2.5 Gigabit LAN            |
|                            | Audio / Video                                      | 2 x 3.5mm phone jack connector (Line-out, Mic-in)<br>1 x HDMI 2.0b, 1 x VGA   |   |
|                            | DC in  | 1 x M12 5pin DC power connector   |   |
|                            | Control Keys                                       | Rear bottom: Power on / off   |   |
| Power                      | Power input  | DC 12V~28V  |   |
|                            | Power adapter                                      | AC 100~277V / 47 ~ 63 Hz / DC output 24V, 120W (IP68 PSU w/ PSE)  |   |
|                            | Power consumption                                  | TBD W   |   |
| Environmental              | Temperature  | Operating Temperature 0~40°C (24V DC, IEC60068-2-56, HDD)<br>0~50°C (24V DC, IEC60068-2-56, SSD)<br>Storage Temperature -20~60°C  |   |
|                            | Humidity   | Operating & Storage: 10 ~ 90%, non-condensing   |   |
|                            | Water/Dust resistance                              | IP66 / NEMA4X / IP69K whole set /IK05   |   |
| Mechanical Characteristics | Housing  | Stainless steel (SUS304), chassis type  |   |
|                            | Dimensions (Net: mm)                               | 395 x 309.5 x 58  |   |
|                            | Weights (Net: kg)                                  | 8.4 kg  |   |
|                            | Mounting   | VESA 100/100, Side mount (M6*2)   |   |
| Certification              | CE (EMC) FCC Class B, Canada ICES-003 VCCI Class B |   |   |

# WTP-8J66-15

# Stainless Steel Panel PC



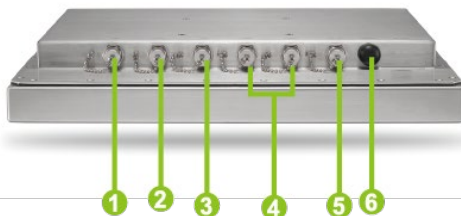
## Major Options

|               |  |
|---------------|--|
| Options       | <ul style="list-style-type: none"> <li>① Wireless LAN or Wireless and BT kit (Easy Clean and Robust Antenna)</li> <li>② Cable Gland for External I.O. ③ External 2 X LAN (Occupy 1 x COM),</li> <li>④ Full Flat PCT Touch Screen IP69K ⑤ Stainless M12 connector</li> <li>⑥ SUS316 Enclosure ⑦ IP67</li> <li>⑧ M12 (female) to M12 (male) DC power extension cable (2 meters length)</li> <li>⑨ M12 (female) to stripped and tinned wires DC extension cable (1.2 meter length)</li> </ul>             |
| Accessory     | <ul style="list-style-type: none"> <li>① Waterproof USB cable, cable length is 2 meters</li> <li>② Waterproof LAN cable, cable length is 2 meters</li> <li>③ Waterproof COM cable, cable length is 2 meters</li> <li>④ DC input cable</li> <li>⑤ Wall Mount &amp; Table Mount Bracket</li> </ul>   |
| Customization | <ul style="list-style-type: none"> <li>① Sunlight readable optical bonding (Impact Protection Level: IK08)</li> <li>② 1000 nit high brightness LCD</li> <li>③ Roof for UV protection and sunlight readable, ④ 5W/2W Speaker</li> <li>⑤ Barcode reader</li> <li>⑥ Second HD for RAID 0,1</li> <li>⑦ COM + power 5V or 12V</li> <li>⑧ TPM 2.0</li> <li>⑨ 5G module</li> <li>⑩ DC-In connector x 1 (phoenix type 4pin),</li> <li>⑪ Floor stand accessory (cable gland type)</li> <li>⑫ M.2 SSD</li> </ul> |

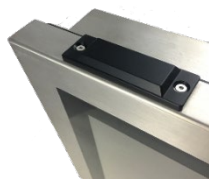
## Order Information

| Item              | Cooling | Description  |
|-------------------|---------|--|
| WTP-8J66-15-Resis | Fanless | 15" J6412 / DDR4 4G RAM / 500G HDD / Resistive touch |
| WTP-8J66-15-PCT   | Fanless | 15" J6412 / DDR4 4G RAM / 500G HDD / P-cap touch     |

## I.O



- ① Giga LAN
- ② USB 1/2
- ③ USB 3/4
- ④ COM x 2
- ⑤ DC-in
- ⑥ Power on/off



(Optional) Wireless or Wireless + BT kit  
(Easy Clean and Robust Antenna)



Cable Gland for External I.O. (Optional)