

W22IE3S-65A3

21.5" Intel® Celeron® N6211 IP65 Stainless Resistive Chassis Panel PC



KEY FEATURES

- Intel® Celeron® Elkhart Lake N6211 processor
- Fanless Design
- Full IP65 dust/water resistant
- SUS 316/ AISI 316 stainless steel for food and chemical industries
- Optical Bonding with Anti-moisture Treatment (Optional)
- 5 Wire Resistive Touch/ Anti-Reflection Protection Glass (Optional)

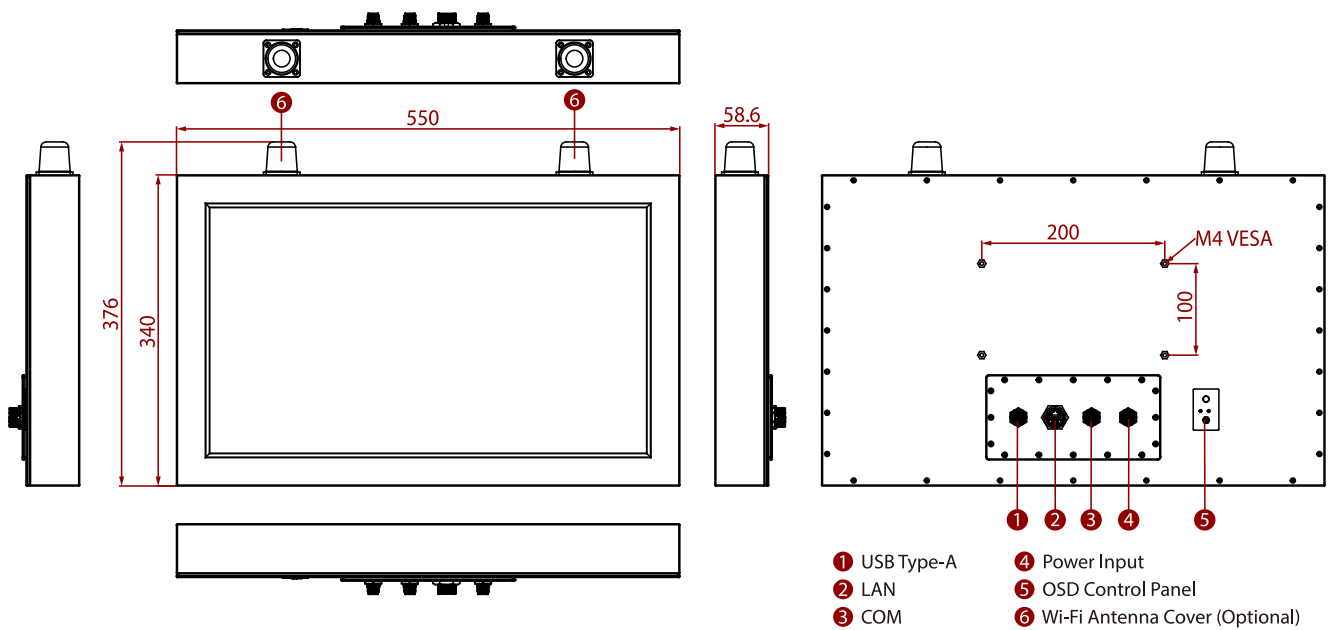


SPECIFICATIONS

Display			
Resolution	1920x1080	Size	21.5 inches
Contrast Ratio	3000:1	Panel Brightness	250.0 nits
View Angles	89,89,89,89	Active Area	476.64x268.11 mm
Touch / Glass	Resistive Touch Screen (Optional) Protection Glass Without Touch Function (Optional)		
System Specification			
WLAN	Support (Optional)	BT	Support (Optional)
Processor	Intel® Celeron® N6211 (up to 2.6GHz) Intel® Celeron® N6210 (up to 3.0GHz) (Optional)	Memory	1 x SO-DIMM, DDR4 3200 MHz, 4GB 8GB (Optional) 16GB (Optional)
Storage	1 x M.2 2242 B-key SSD 128GB M.2 2242 B-key SSD up to 512GB (Optional) 1 x SATA III for 2.5" SSD/HDD up to 1TB (Optional)	Ethernet controller	2 x Intel® Ethernet Controller
Security	TPM 2.0	Operating System	Windows 11 IoT Enterprise SAC (64 bit) (Optional) Windows 11 Pro 64 bit (Optional) Windows 10 IoT Enterprise (64 bit) (Optional) Linux Ubuntu 22.04 (Optional)
Mechanical			
Dimension	550 x 340 x 58.6 mm	Mounting	VESA Mount Yoke Mount
Enclosure	Stainless Housing	Cooling System	Fanless design
Environment			
Operating Humidity	10% to 90% RH, Non-Condensing	Operating Temperature	0°C to 45°C
Storage Temperature	-20°C to 60°C	IP rating	IP65
Certification			
Certification	CE, FCC		
IO Ports			
Power Input	1 x M12 waterproof connector for 12V DC	USB Port	1x M12 waterproof connector for 2 x USB2.0
Serial Port	1 x M12 waterproof connector for RS232	LAN	1 x waterproof Giga LAN RJ45 connector

Indicator	1 x LED Indicator for power 1 x LED Indicator for storage
Control	
Button	1 x Power Button 1 x Reset Button
Accessory	
Accessory	100~240V AC to DC Adapter with waterproof connector Power Cord External USB cable with waterproof connector External COM cable with waterproof connector External LAN cable with waterproof connector Waterproof caps VESAs screws
Power	
Power Rating	12V DC (M12 type)

DIMENSIONS UNIT:MM



NOTE

1. This is a simplified drawing and some components are not marked in detail.
2. Please contact our sales representative if you need further product information.
3. All specifications are subject to change without prior notice.
4. The product shown in this datasheet is a standard model. For diagrams that contain customized or optional I/O, please contact the Winmate Sales Team for more information.