

PBP-08P3 3 PCI/2 PICMG Passive Backplane

The PBP-08P3 backplane is fully PICMG Rev 2.1 compliant. It is a member of PBP's PCI product family and is intended to support all PICMG compliant boards on the market.

The board's main features include:

Connector

Dual slot PCI/ISA for the CPU board

Three ISA slots for full-size ISA boards.

Three 5V 32bit PCI slots for full-size boards on the Primary bus. These slots are Master/Slave configurable by using Bus Mastering Scheme.

One AT standard power connector: 12 pins, 5A max. per pin for +5V, -5V, +12V, -12V, +3.3V voltages, Ground, and Power Good signal.

Pairs of header for local connection of a keyboard, fan power, and Power LED.

PCB

The Printed Circuit Board's (PCB) overall dimensions are 257mm x 217.96mm (101.2" x 85.8"), and total thickness is 1.6mm.

Mounting holes are provided and are located to conform to the baby AT form factor. Mounting holes are connected to Signal Ground internally.

Operating temperature : 0°C ~ 55°C

Storage temperature : -20°C ~ 75°C

Standard

PCI- conforms to PICMG rev. 2.1 specification

ISA- conforms to IEEE P996 specification.

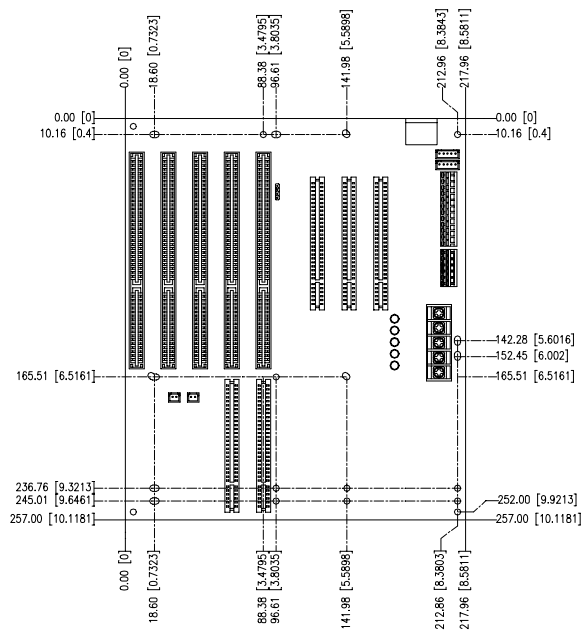
1. JUMPERS and CONNECTORS:

JUMPER/ CONNECTOR	DESCRIPTION
PCI A,B/ISA 4,5	PICMG connectors
PCI1-3	32BIT PCI BUS connectors (primary)
ISA SLOT 1-3	8BIT ISA BUS connector
KB1, KB2, KB3	Keyboard connector
CN1, CN2	FAN power connector
CN3	Chassis fan power connector
CN4	Power extension terminal block
CN5	P8/P9 power connector
P1	3.3V power connector

2 PIN ASSIGNMENT

KB1, KB2, KB3	
PIN	NAME
1	CLK
2	DATA
3	NC
4	GND (Via SBC)
5	+5V (Via SBC)

*Note: this pin assignment may vary if a non-ROBO SBC is used with the backplane.



CN 1, CN2	
PIN	NAME
1	+12V
2	GND

P8/P9	
PIN	NAME
1	NC
2	+5V
3	+12V
4	-12V
5	GND
6	GND
7	GND
8	GND
9	-5V
10	+5V
11	+5V
12	+5V

CN3	
PIN	NAME
1	+12V
2	GND
3	GND
4	+5V

CN4	
PIN	NAME
1	GND
2	+12V @ 5A
3	+5V @ 5A
4	-12V @ 0.5A
5	-5V @ 0.5A

P1	
PIN	NAME
1	GND
2	GND
3	GND
4	+3.3V
5	+3.3V
6	+3.3V