



I-87028CDW-G

8-channel Isolated Analog Output Module

Features

- 8-channel Analog Output
- D-Sub 37-Pin Connector
- Open Wire Detection for Current Output
- 4 kV ESD Protection
- Dual Watchdog
- Configurable Power-on Value
- Configurable Safe Value
- 3000 VDC Intra-module Isolation, Field-to-Logic
- Open Daughter Board Detection



Introduction

The I-87028CDW is an 8-channel current output module that features 3 kVDC channel-to-channel isolation and also features perchannel open wire detection for +4 to +20 mA outputs , together with 4 kV ESD protection as well as 3 kVDC intra-module isolation.

Options for configuring power-on and safe values are also included.

Applications

- Building Automation
- Factory Automation
- Machine Automation
- Remote Maintenance
- Remote Diagnosis
- Testing Equipment

System Specifications

Communication	
Interface	RS-485
Format	N, 8, 1
Baud Rate	1200 to 115200 bps
Protocol	DCON
Dual Watchdog	Yes, Module (1.6 Seconds), Communication (Programmable)
LED Indicators/Display	
System LED Indicators	Yes, 1 as Power/Communication Indicator
I/O LED Indicators	-
Isolation	
Intra-module Isolation, Field-to-Logic	3000 VDC
EMS Protection	
ESD (IEC 61000-4-2)	±4 kV Contact for each Terminal, ±8 kV Air for Random Point
Power	
Power Consumption	1 W Max.
Mechanical	
Dimensions (W × L × H)	30 mm × 115 mm × 85 mm
Environment	
Operating Temperature	-25 ~ +75°C
Storage Temperature	-40 ~ +85°C
Humidity	10 ~ 95% RH, Non-condensing

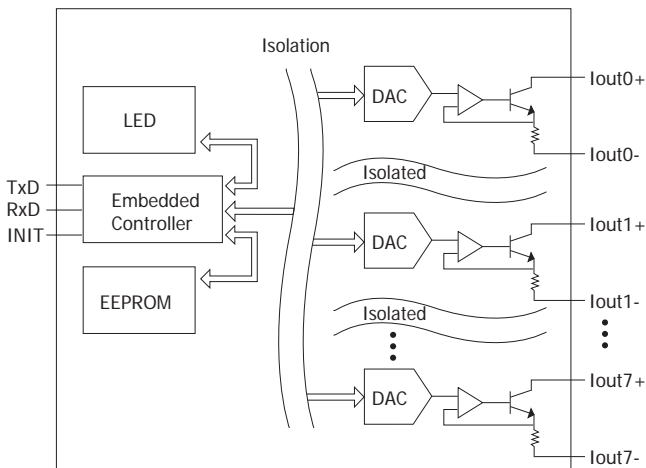


I-87024DW-G, I-87028DW-G
with DN-37-381-A and DB37
Male to Female Cable (Optional)

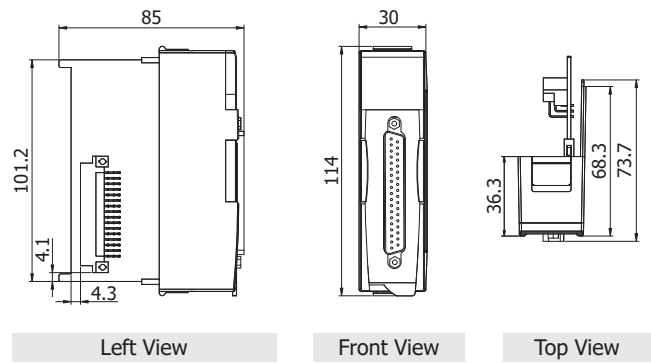
I/O Specifications

Analog Output	
Channels	8
Connector	DB37
Current Output Wiring	Sink
Range	0 ~ +20 mA, +4 ~ +20 mA
Resolution	12-bit
Accuracy	±0.1% of FSR
DA Output Response Time	10 ms per channel
Programmable Output Slope	0.125 ~ 1024 mA/Second
Output Capacity	External +24 VDC @ 1050 Ω
Channel-to-Channel Isolation	Yes, 3000 VDC
Open Wire Detection	Yes, +4 ~ +20 mA
Individual Channel Configuration	Yes
Power-on Value	Yes
Safe Value	Yes

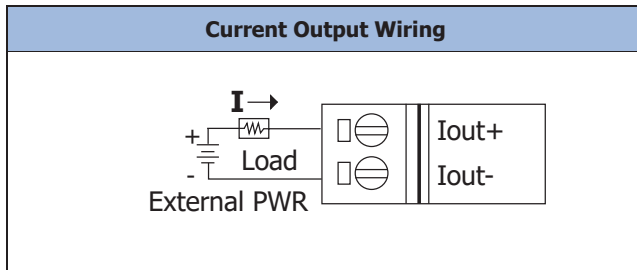
Internal I/O Structure



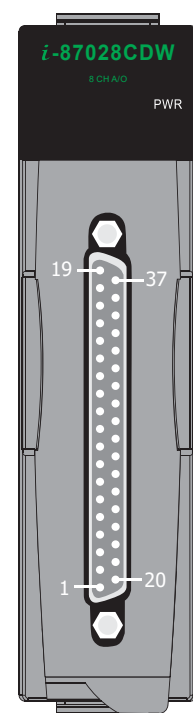
Dimensions (Units: mm)



Wire Connections



Pin Assignments



Pin Assignment	Terminal	No.	Pin Assignment
Iout0+	19	37	N.C.
Iout0-	18	36	N.C.
Iout1+	17	35	N.C.
Iout1-	16	34	N.C.
N.C.	15	33	N.C.
Iout2+	14	32	N.C.
Iout2-	13	31	N.C.
Iout3+	12	30	N.C.
Iout3-	11	29	N.C.
N.C.	10	28	N.C.
Iout4+	09	27	N.C.
Iout4-	08	26	N.C.
Iout5+	07	25	N.C.
Iout5-	06	24	N.C.
N.C.	05	23	N.C.
Iout6+	04	22	N.C.
Iout6-	03	21	N.C.
Iout7+	02	20	N.C.
Iout7-	01		

37-pin Male D-Sub Connector

Accessories

DN-37-A CR	Female DB37 to Screw Terminal Board (Pitch= 5.08 mm) with DIN-rail Mounting (RoHS) Include: CA-3710A (DB37 Male to Female Cable, 90°, 1 M)
DN-37-381-A CR	Female DB37 to Screw Terminal Board (Pitch=3.81 mm) with DIN-rail Mounting (RoHS) Include: CA-3710A (DB37 Male to Female Cable, 90°, 1 M)
CA-3705A CR CA-3710A CR CA-3715A CR	DB37 Male to Female Cable, 90°, 0.5 M/1 M/1.5 M (RoHS)
CA-3710AM CR CA-3720AM CR CA-3730AM CR CA-3750AM CR CA-37100AM CR	DB37 Male to Female, with Molded Cable, 45°, 1 M/2 M/3 M/5 M/10 M (RoHS)

Ordering Information

I-87024DW-G CR	4-channel 14-bit Analog Output Module (Gray Cover) (RoHS)
-----------------------	---