

IDS-H61

High Performance Digital Signage Player

Features

- ◆ Fanless Design Digital Signage Player
- ◆ Supports DisplayPort, DVI/VGA, Gigabit Ethernet, USB 2.0
- ◆ Intel® HD Graphics with Full HD video decoding capability
- ◆ Intel® H61 platform



Specifications

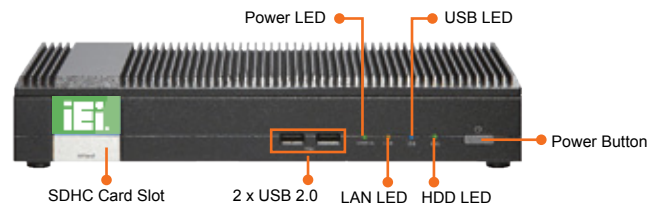
Model Name	IDS-H61		
Chassis	Color	Black	
	Dimensions (WxDxH) (mm)	267 x 160 x 45	
	System Fan	Fanless	
	Chassis Construction	Aluminum alloys	
Motherboard	Processor CPU	Intel® Celeron® G530T 2.0 GHz	
	Chipset	Intel® H61	
	System Memory	2 x 204-pin DDR3 SO-DIMM 1333 MHz Pre-installed 4 GB (System Max: 16GB)	
Storage	Hard Drive	1 x 2.5" SATA HDD bay	
	SD card	1	
	mSATA	1 x Full size (default mSATA 32 GB)	
I/O interface	USB 2.0	4	
	Ethernet	1 x RJ-45 1 x PCIe GbE by Intel® 82579 LM	
	RS-232	1 x DB-9	
	Display	1 x DVI-I, 1 x DisplayPort 1.1	
	Resolution	DVI-I: Up to 1920 x 1200 DisplayPort: Up to 2560 x 1600	
	Audio	1 x Line-out	
	Other	1 x SDHC card	
	Wireless	1 x 802.11b/g/n (optional)	
	Expansions	PCIe Mini	1 x Full size (default mSATA 32 GB) 1 x Half size
		Power Input	DC Jack: 12 V DC
	Power	Power Consumption	12 V@3.41 A (Intel® Celeron® G530T with 4G DDR3 memory)
Mounting		Wall mount	
Reliability	Operating Temperature	0°C~45°C with air flow (mSATA), 5% ~ 95%, non-condensing	
	Operating Shock	Half-sine wave shock 3G, 11ms, 3 shocks per axis	
	Operating Vibration	MIL-STD-810F 514.5C-1 with SATA HDD MIL-STD-810F 514.5C-2 with mSATA	
	Weight (Net/Gross)	2.1 kg/4.5 kg	
	Safety/EMC	CE/FCC/LVD	
OS	Supported OS	Microsoft® Windows® 7, Microsoft® Windows® Embedded Standard 7 E	

Packing list

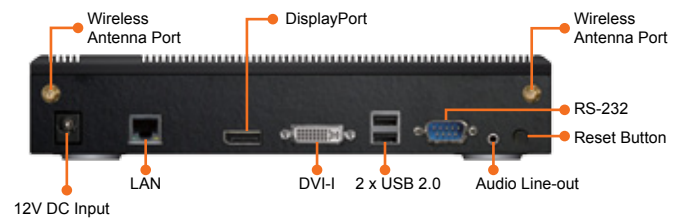
Item	Qty	Description
Utility CD	1	Drivers and user manual
Power adapter	1	Adapter Power, Delta, DPS-90FB A A00, Vin:100 V~240 V AC, 90W, Vout:12V DC, CCL, RoHS
Wall mount kit	1	WALL MOUNT BRACKET, NCT, IS-1600, PAINTING, BLACK, SECC, VER:01, CCL, RoHS

Fully Integrated I/O

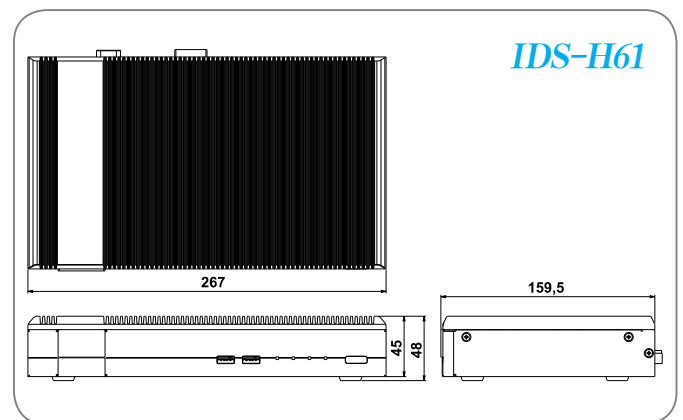
Front View



Rear View



Dimensions (Unit: mm)



Ordering information

Part No.	Description
IDS-H61-C-4GB-R10	Fanless embedded system, Intel® Celeron® G530T 2.0 GHz, TDP 35W, 2 GB x 2 DDR3 SO-DIMM pre-installed, mSATA 32 GB, DisplayPort, Intel® GbE, DVI, 2.5" HDD bay, USB 2.0, serial port, SDHC card slot, HD Audio, 0°C~45°C, R10

Options

Item	Part No.
Windows Embedded Standard 7	IDS-H61-WES7E-R10
Description	
OS Image with Windows® Embedded Standard 7 E for IDS-H61 series	